

In Wall
C-IN_

Interface module for keypads ONLY.

Technical data

Power supply	110/230V~ 50/60Hz
Consumption	< 0.5W
Frequency ⁽¹⁾	868.3MHz
Ingress protection IP	IP20

Description

The C-IN_ is an interface module enabling the snapping of any Only keypad ⁽²⁾⁽³⁾. It is indicated in places where it is not necessary to switch any load but a keypad is required.

Application

Interface between the Only automation system and respective keypads.

Installation

The C-IN_ is to be mounted in flush-mounting electrical box (60mm between fixing points).

Available modules

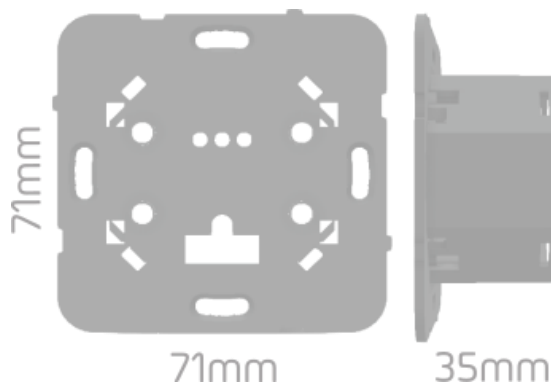
Name	Radio Frequency
C-IN	
⁽¹⁾ C-IN-RF	✓

Features

Individually configurable inputs in operation modes: Toggle, On, Off, Time, Delay or Scenario.

Radio Frequency Receiver/Transmitter ⁽¹⁾

Push-wire terminal connections with derivation



Danger - Electric Shock Risk!

Switch off the power before any intervention.

Handling by qualified and authorized persons only.

⁽²⁾ Not compatible with OT-CLIMA-XY, OT-CLIMAA-XY, OT-FM-XY, OT-FMA-XY, OT-16S-XY and OT-16SD-XY

⁽³⁾ C-IN_ must have firmware version \geq to V4.0 to work with OT-MF-XY

Subject to change without notice

C-IN_R06

Enancer Electrónica, Lda

Rua Max Grundig, 9
4705-820 Braga Portugal
Tel: +351 253 221 484
info@only-smartbuildings.com