

In Wall

HCS-C.TMB.RTU-24

Modbus RTU interface for the control of Air Conditioners.

Technical data

Power supply	24VDC
Interfaces	Automation ONLY Bus EIA485 half-duplex
Ingress protection IP	IP20

European Directives

2014/30/EU	EMC Directive
2011/65/EU	RoHS 3 Directive

Description

The HCS-C.TMB.RTU-24 is a programmable thermostat for the climatization control of areas that include an A/C unit.

Each HCS-C.TMB.RTU-24 can control only one A/C machine. This module is always the "Master" in the communication, and the A/C machine (with Modbus ⁽¹⁾ interface) the "Slave".

Applications

Climatization control of areas including an A/C unit.

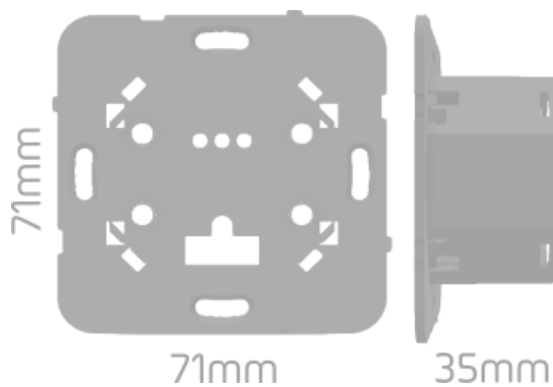
Installation

The HCS-C.TMB.RTU-24 is to be mounted in an electrical flush-mounting box (60mm between fixing points).

Features

Modbus RTU (EIA-485) communication.

Push-wire terminal connections with derivation.



Danger - Electric Shock Risk!
Switch off the power before any intervention.

Handling by qualified and authorized persons only.

⁽¹⁾ Integration with Intesisbox.

Subject to change without notice

HCS-C.TMB.RTU-24_R06

Enancer Electrónica, Lda

Rua Max Grundig, 9
4705-820 Braga Portugal
Tel: +351 253 221 484
info@only-smartbuildings.com