

In Wall
C-IN24V

Interface module for keypads ONLY.

Technical data

Power supply	24VDC
Power consumption	< 0.5W
Ingress protection IP	IP20

Description

The C-IN24V is an interface module enabling the snapping of any Only keypad ⁽¹⁾⁽²⁾. It is indicated in places where it is not necessary to switch any load but a keypad is required.

Application

Interface between the Only automation system and respective keypads.

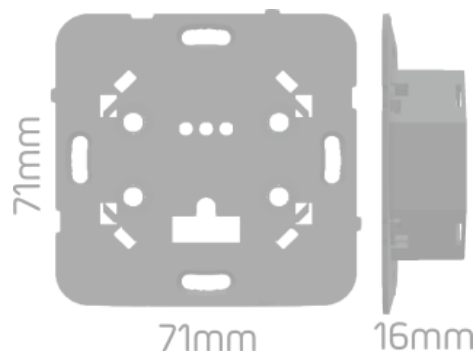
Installation

The C-IN24V is to be mounted in flush-mounting electrical box (60mm between fixing points).

Features

Individually configurable inputs in operation modes: Toggle, On, Off, Time, Delay or Scenario.

Terminal block connectors.



Danger - Electric Shock Risk!

Switch off the power before any intervention.

Handling by qualified and authorized persons only.

⁽¹⁾ Not compatible with OT-CLIMA-XY, OT-CLIMAA-XY, OT-FM-XY, OT-FMA-XY, OT-16S-XY and OT-16SD-XY

⁽²⁾ C-IN24V must have firmware version \geq to V4.0 to work with OT-MF-XY

Subject to change without notice

C-IN24V_R06

Enancer Electrónica, Lda

Rua Max Grundig, 9
4705-820 Braga Portugal
Tel: +351 253 221 484
info@only-smartbuildings.com