

In Wall
C-1DIM

1 channel phase-cut R, C dimming actuator 300W

Technical data

Power supply	110/230V~ 50/60Hz
Consumption	< 0.5W
Maximum load	300W
Ingress protection IP	IP20

Description

The C-1DIM is a dimmer for resistive or capacitive loads of 300W.

It allows, the light dimming of incandescent or halogen lamps (even when associated to electronic transformers) or other lamps with dimmable electronic drivers.

It can be fitted with any Only wall Keypad ⁽¹⁾⁽²⁾.

Applications

Intensity control of the incandescent and halogen lights (with or without electronic transformer) in homes, shops, hospitals, clinics and hotels.

Installation

The C-1DIM is to be mounted in flush-mounting electrical box (60mm between fixing points).

Features

Dimming from 0 to 100% with gradual increasing

Local operation even without BUS connection

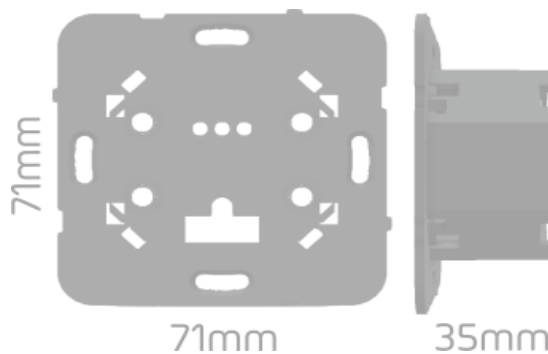
Status indication by LED

Automatic memory of last selected light level

Push-wire terminal connections with derivation

Up to 28 buttons can be stored in the internal non-volatile memory.

Operation modes: Toggle, Up, Down, Timer, Delay and Scenario, depending on the received command



Note:

This dimmer cannot be used with ferromagnetic transformers.



Danger - Electric Shock Risk!

Switch off the power before any intervention.

Handling by qualified and authorized persons only.

⁽¹⁾ Not compatible with OT-CLIMA-XY, OT-CLIMAA-XY, OT-FM-XY, OT-FMA-XY, OT-16S-XY and OT-16SD-XY

⁽²⁾ C-1DIM must have firmware version \geq V4.0 to work with OT-MF-XY

Subject to change without notice

C-1DIM_R06

Enancer Electrónica, Lda

Rua Max Grundig, 9
4705-820 Braga Portugal
Tel: +351 253 221 484
info@only-smartbuildings.com