

**In Wall**

# S-1SHU-4B

1 channel 230 V~ shutter actuator 8 A with 4 buttons

**Technical data**

Power supply	230 V ~ 50 Hz
Consumption	< 1.5 W
Maximum load current	8 A cos Φ = 1
Ingress protection IP	IP20

**Description**

The S-1SHU-4B is a 230 V~ shutter actuator that includes 4 push buttons.

**Applications**

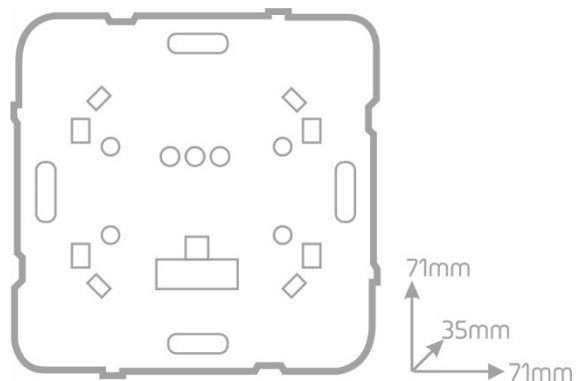
Command for shutters, sunscreens, blinds, curtains, projection screens and black-outs of 230 V~ in homes, shops, hospitals, clinics and hotels.

**Installation**

The S-1SHU-4B is mounted in a deep flush-mounting box (60 mm). The fixing frame can be broken for installation inside the switch box behind other command equipment with push buttons. It is necessary a minimum of 85 mm depth when other push buttons are used.

**Features**

- 8 A relay outputs
- Local operation even without BUS
- Status indication by LED
- WAGO push-wire terminal connections with derivation
- Open and close time independently configured
- Various positions for different scenarios can be stored
- Up to 28 buttons can be stored in the internal non-volatile memory
- Operation modes: Toggle, Up, Down, Timer, Delay and Scenario, depending on the received command



Note:

Enables the connection up to 4 push buttons through a connection cable to the connector dedicated in front of the module.

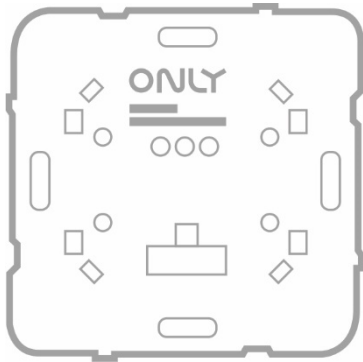


**Danger - Electric Shock Risk!**

Switch off the power before any intervention.

Handling by qualified and authorized persons only.

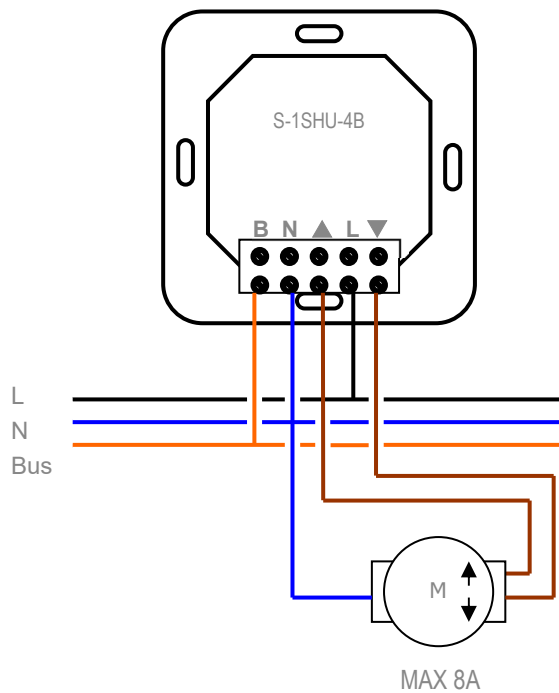
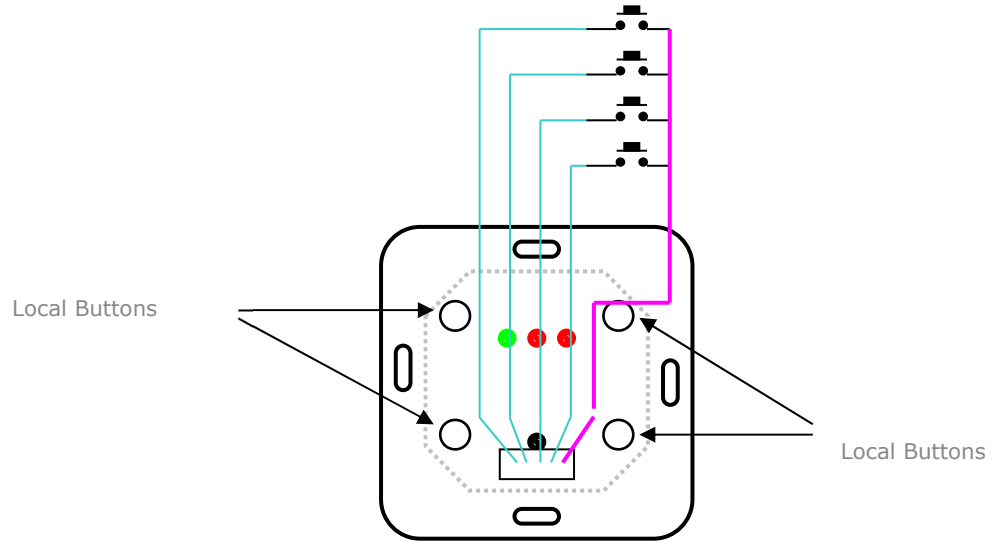
Subject to change without notice



In Wall  
S-1SHU-4B

1 channel 230 W~ shutter actuator 8 A  
with 4 buttons

Connection Diagram:



**Danger - Electric Shock Risk!**  
Switch off the power before any  
intervention.  
Handling by qualified and authorized  
persons only.

Subject to change without notice