

DIN Rail D_SHU

DIN Rail channel shutter actuator 8 A

Technical data

Power supply	110/230 V~ 50/60 Hz
Consumption	< 0.5 W
Maximum load current	8 A cos Φ = 1
Ingress protection IP	IP20

Description

The D_SHU is a DIN Rail actuator for 2 or 4 independent shutters.
 D_SHU outputs are equipped with bi-stable relays, voltage free contacts.
 The power supply of the module is independent of the loads to be switched.

Applications

Command for shutters, sunscreens, blinds, curtains, projection screens and black-outs of 230 V~ in homes, shops, hospitals, clinics and hotels.

Installation

The D_SHU is made for DIN rail mounting, occupying 5 modules of 17.5 mm.

Available Units

Name	2 shutters	4 shutters
D-2SHU	✓	
D-4SHU		✓

Features

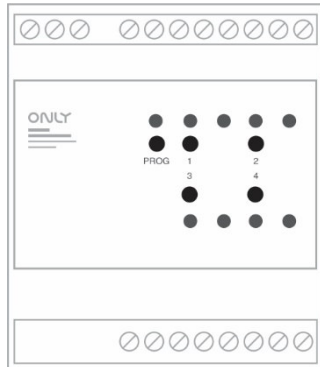
- 8 A relay outputs
- Local operation even without BUS connection
- Status indication by LED
- Open and close time independently configured
- Various positions for different scenarios can be stored
- Up to 28 buttons can be stored in the internal non-volatile memory
- Operation modes: Toggle, Up, Down, Timer, Delay and Scenario, depending on the received command



Danger - Electric Shock Risk!
 Switch off the power before any intervention.

Handling by qualified and authorized persons only.

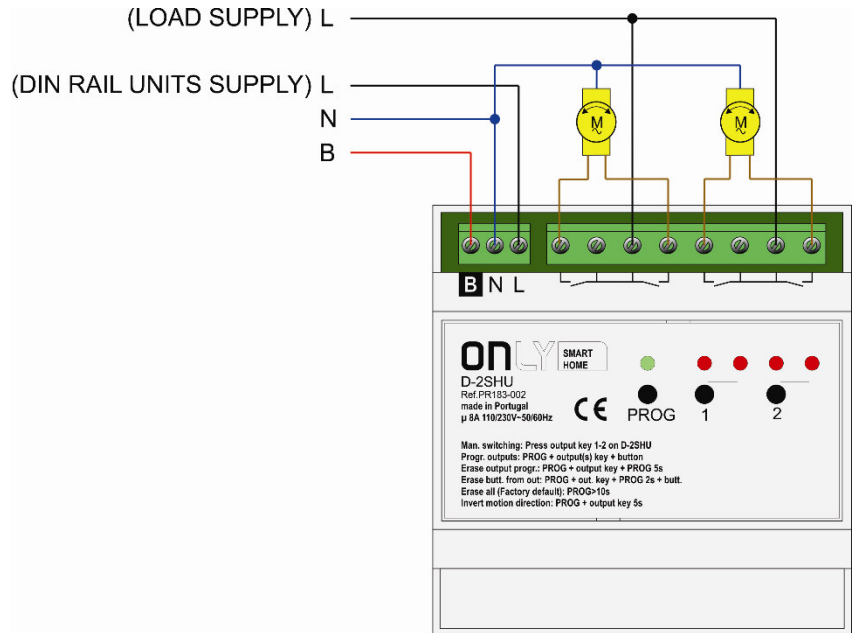
Subject to change without notice



DIN Rail D_SHU

DIN Rail channel shutter actuator 8 A

Connection Diagram:



Danger - Electric Shock Risk!
 Switch off the power before any intervention.
 Handling by qualified and authorized persons only.

Subject to change without notice