



Description

The D-TERMO5 is a programmable thermostat to control air flow units with 4 tubes. It allows the control of 3 ventilation speeds and the heating or cooling valve. This control is made with 4 contacts with a common point that can be low voltage or 230 V.

The D-TERMO5 needs the information about temperature from an external command. Therefore it can be used with a touch panel OT-T6S_/OT-T4S_ installed on a C_OUT_, C-1SHU, C-IN_ or alternatively as an actuator programmed as slave of a C-TERMO4/C-CLIMA4.

Applications

Control of climatization by 4 tubes in homes, shops, hospitals, clinics and hotels.

Installation

The D-TERMO5 is made for DIN rail mounting, occupying 2 modules of 17.5 mm.

Features

- 3 speed ventilation control
- Valve control for heating / cooling

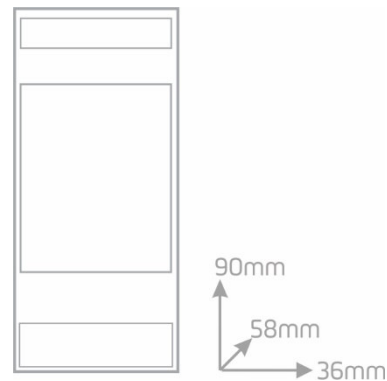
DIN Rail

D-TERMO5

5 outputs programmable thermostat

Technical data

Power supply	110/230 V ~ 50/60 Hz
Consumption	< 0.5 W
Maximum current	5 A cos Φ = 1
	2.5 A cos Φ = 0.4
Maximum voltage contacts	230 V~, 30 VDC
Ingress protection IP	IP20



Danger - Electric Shock Risk!

Switch off the power before any intervention.

Handling by qualified and authorized persons only.

Subject to change without notice

Enancer Electrónica, Lda

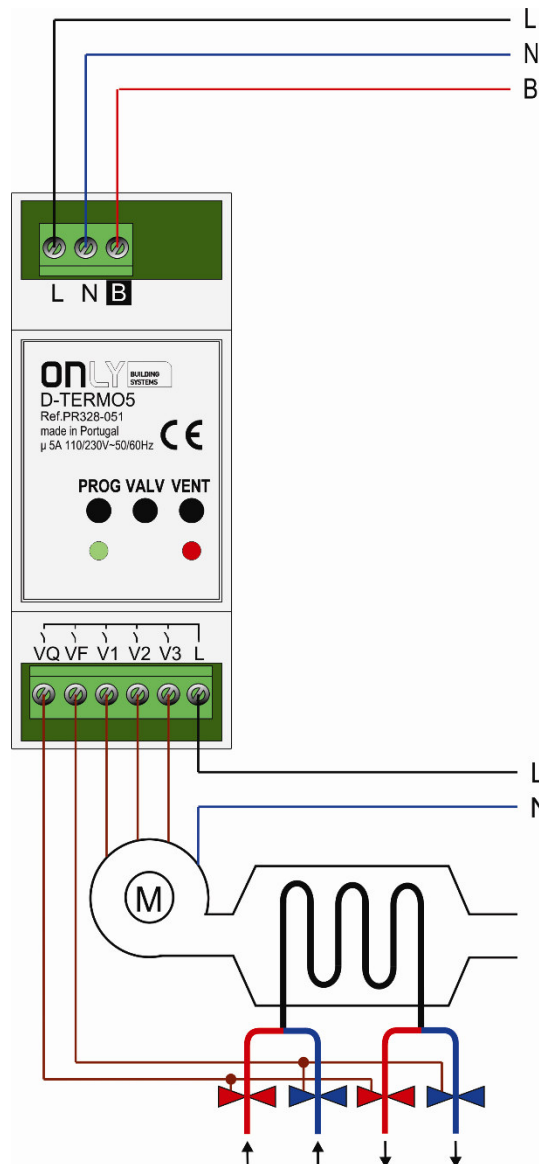
Rua Max Grundig, 9
4705-820 Braga Portugal
Tel: +351 253 221 484
info@only-smartbuildings.com



DIN Rail D-TERMO5

5 outputs programmable thermostat

Connection Diagram:



Danger - Electric Shock Risk!
 Switch off the power before any intervention.
 Handling by qualified and authorized persons only.

Subject to change without notice