



DIN Rail D-4DET

Module of 4 interface binary inputs for detectors.

Technical data

Power supply 110/230 V ~ 50/60 Hz
Consumption < 0.5 W
Ingress protection IP IP20

Description

The D-4DET is a module for connection and interface up to 4 detectors.

It is indicated to read the state of motion detectors, crepuscular, wind, etc., allowing its integration in the automation system.

Monitors the state of each detector sending a pre-programmed command at any state change.

Application

Houses, shops, hospitals, clinics and hotels.

Installation

The D-4DET is mounted on DIN Rail, occupying 2 modules of 17.5 mm.

Features

Signal detection at the inputs is independent and multi-voltage (24 VDC / 230 VAC)

Note:

It shouldn't be used to detect water leakage.



Danger - Electric Shock Risk!
Switch off the power before any intervention.

Handling by qualified and authorized persons only.

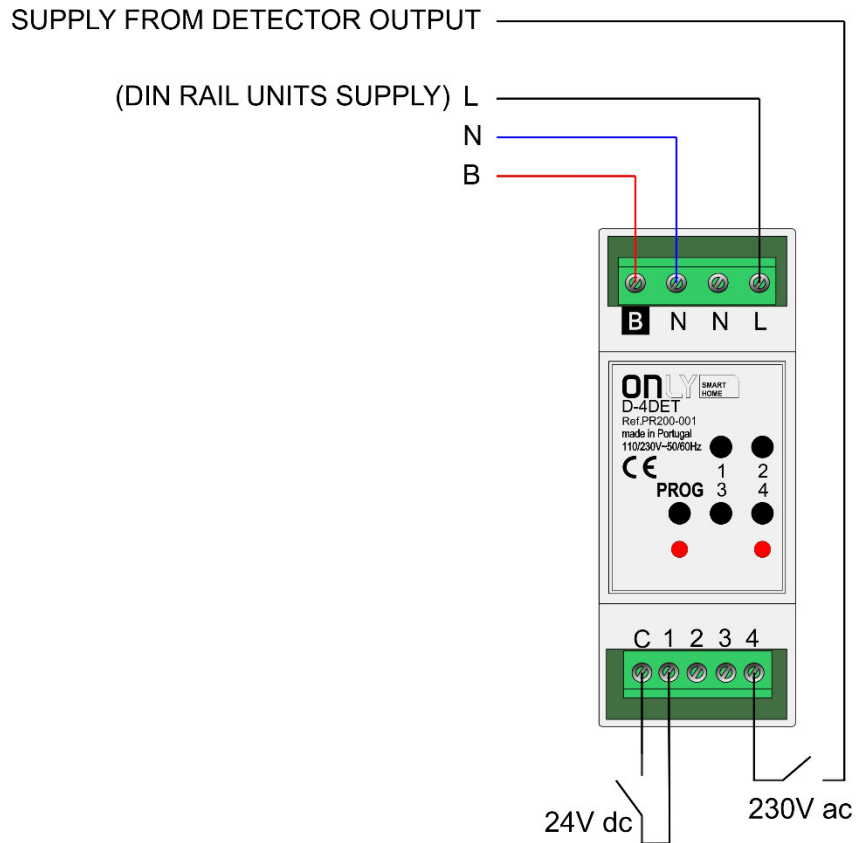
Subject to change without notice



DIN Rail D-4DET

Module of 4 interface binary inputs for detectors.

Connection diagram:



Danger - Electric Shock Risk!

Switch off the power before any intervention.

Handling by qualified and authorized persons only.

Subject to change without notice