



DIN Rail D-3DIMLS

DIN Rail 3-channel single-colour LED strip light dimming actuator

Technical data

Power supply	110/230 V ~ 50/60 Hz
Consumption	< 0.5 W
Maximum current of the load	3 x 6.5 A
Ingress protection IP	IP20

Description

The D-3DIMLS is an actuator in DIN Rail, implementing the control of 3 independent LED strip lights. It requires an external 12/24 VDC power supply (not included) for the LED strips.

Applications

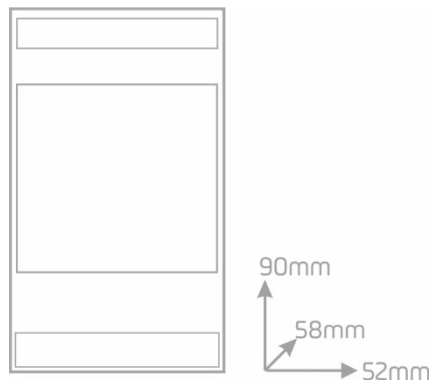
Intensity control of monochrome LED strips in homes, shops, hospitals, clinics and hotels.

Installation

The D-3DIMLS is mounted on DIN Rail, occupying 3 modules of 17.5 mm.

Features

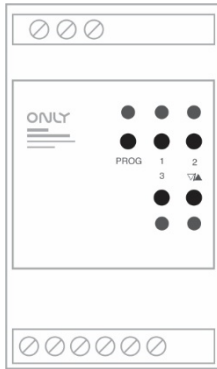
- Dimming 0-100%
- Local control
- Output state indicated by LED
- Automatic memory of last selected light level
- Up to 20 buttons can be stored in the internal non-volatile memory.
- Operation modes: Toggle, ON, OFF, Timer, Delay and Scenario, depending on the received command



Danger - Electric Shock Risk!
Switch off the power before any intervention.

Handling by qualified and authorized persons only.

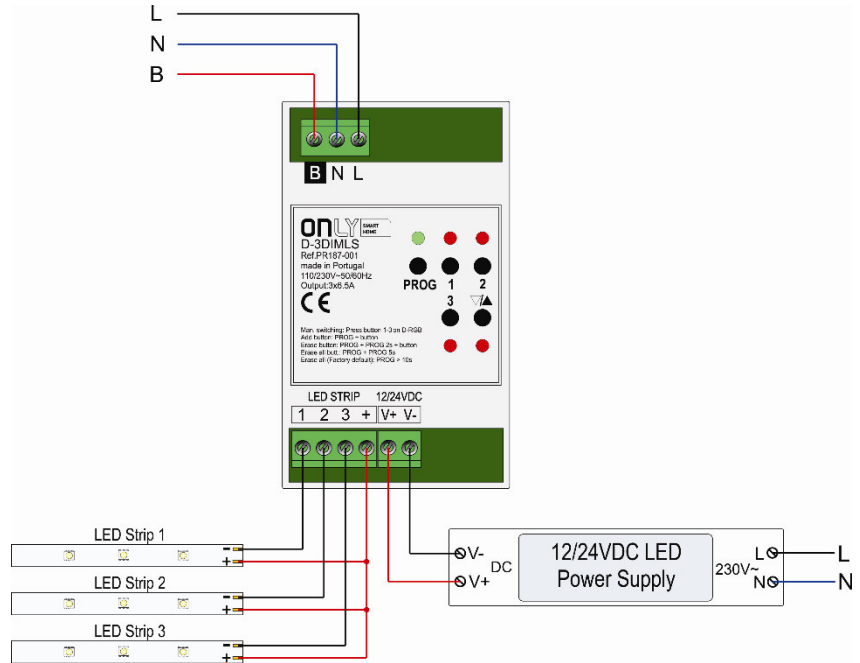
Subject to change without notice



DIN Rail D-3DIMLS

DIN Rail 3-channel single-colour LED strip light dimming actuator

Connection Diagram:



Danger - Electric Shock Risk!
Switch off the power before any intervention.

Handling by qualified and authorized persons only.

Subject to change without notice