



## DIN Rail D-1DIM

DIN Rail 1-channel phase-cut R,C dimming actuator 300 W

### Technical data

Power supply	110/230 V ~ 50/60 Hz
Consumption	< 1.5 W
Maximum power load	300 W
Ingress protection IP	IP20

### Description

The D-1DIM is a single channel 300 W dimmer for resistive or capacitive loads for DIN rail.

It is intended for use with incandescent lamps and halogen lamps (also associated with electronic transformers).

### Applications

Intensity control of the incandescent and halogen lights (with or without electronic transformer) in homes, shops, hospitals, clinics and hotels.

### Installation

The D-1DIM is mounted on DIN Rail, occupying 2 modules of 17.5 mm.

### Features

Dimming from 0 to 100% with soft ramping

Local operation even without BUS connection

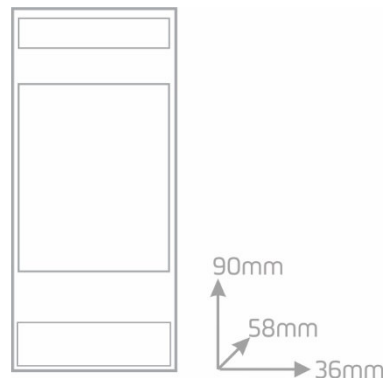
Status indication by LED

Automatic memory of last selected light level

Memorizing different values for various scenarios

Up to 28 buttons can be stored in the internal non-volatile memory.

Operation modes: Toggle, Up, Down, Timer, Delay and Scenario, depending on the received command



Note:

This dimmer cannot be used with ferromagnetic transformers.



**Danger - Electric Shock Risk!**

**Switch off the power before any intervention.**

**Handling by qualified and authorized persons only.**

Subject to change without notice

Enancer Electrónica, Lda

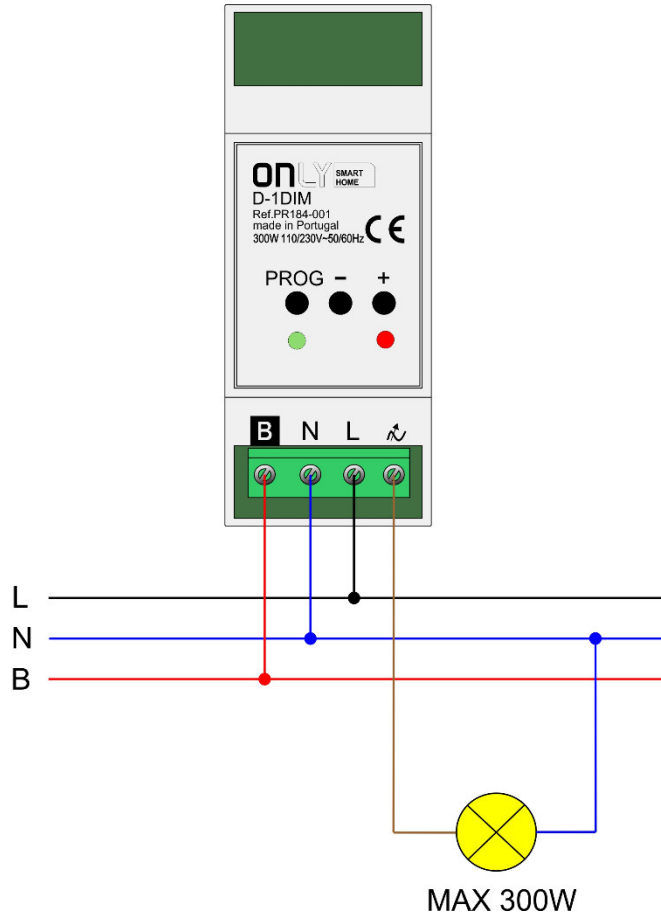
Rua Max Grundig, 9  
4705-820 Braga Portugal  
Tel: +351 253 221 484  
info@only-smartbuildings.com



### DIN Rail D-1DIM

DIN Rail 1-channel phase-cut R,C dimming actuator 300 W

Connection Diagram:



**Danger - Electric Shock Risk!**  
 Switch off the power before any intervention.  
 Handling by qualified and authorized persons only.

Subject to change without notice