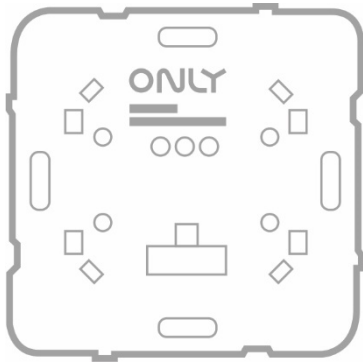




ACTUATORS



In Wall

C_OUT_

ON / OFF actuator with 1 or 2 output
16 A with or without RF

Technical data

Power supply	110/230 V ~ 50/60 Hz
Power consumption	< 0.5 W
Maximum load current	16 A cos $\Phi = 1$
Inrush current	165 A / 20 ms
Frequency	868.3 MHz
Ingress protection IP	IP20



Danger - Electric Shock Risk!
Switch off the power before any
intervention.

Handling by qualified and authorized
persons only.

Description

The C_OUT_ is an 1 or 2 outputs ON/OFF actuator 16 A to switch any load of 110/230 V~ that can receive any touch panel OT-_S_.

It is indicated to switch lamps or other loads at 110/230 V~ or similar.

The relay has a maximum of 16 A switching capacity, but only with purely resistive load (cos $\Phi = 1$). With loads predominantly capacitive or inductive will have that take into account a drastic reduction of this capacity to avoid premature degradation of contacts.

Applications

Switching of lights, 110/230 V electro valves, capacitive or inductive resistive loads and remote control of switches, contactors and heat pumps in homes, shops, hospitals, clinics and hotels.

Installation

The C_OUT_ is mounted in a deep flush-mounting box (60 mm), where the OT-_S_ touch panel will be attached.

Available Units

Name	Radio Frequency	1 Output	2 Outputs
C-1OUT-RF	✓	✓	
C-1OUT		✓	
C-2OUT			✓

Features

ON/OFF actuator with latching relay for 1 or 2 outputs of 16 A

Radio Frequency Transmitter Receiver

Local operation even without BUS connection

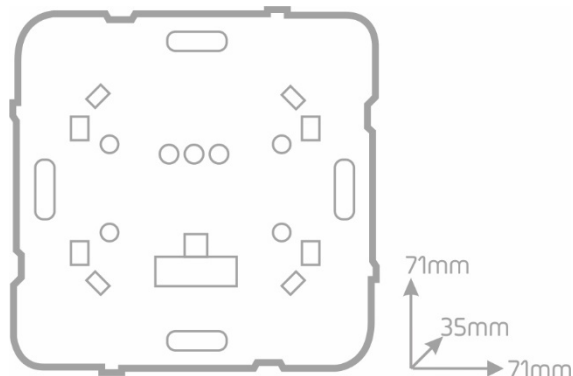
Status indication by LED

Memorizing different values for various scenarios

WAGO push-wire terminal connections with derivation

Up to 20 buttons can be stored in the internal non-volatile memory.

Operation modes: Toggle, ON, OFF, Timer, Delay and Scenario, depending on the received command



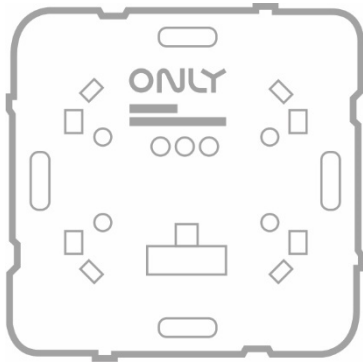
Subject to change without notice

Enancer Electrónica, Lda

Rua Max Grundig, 9
4705-820 Braga Portugal
Tel: +351 253 221 484
info@only-smartbuildings.com



ACTUATORS

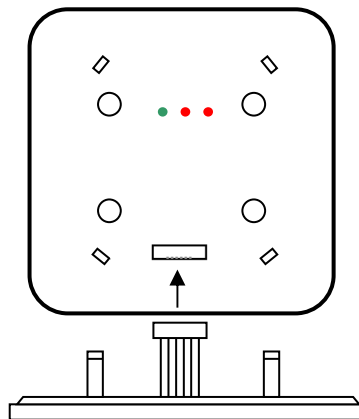
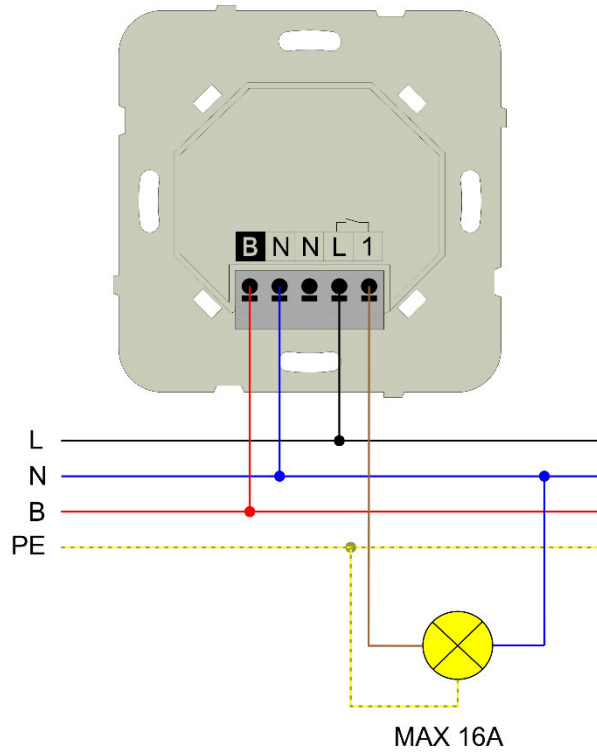


In Wall

C_OUT_

ON / OFF actuator with 1 or 2 output
16 A with or without RF

Connection diagram:



Danger - Electric Shock Risk!

Switch off the power before any intervention.

Handling by qualified and authorized persons only.

Subject to change without notice