

In Wall

C-TERMO4

4 outputs programmable thermostat

Technical data

Power supply	110/230 V ~ 50/60 Hz
Maximum current	5 A cos $\Phi = 1$
Ingress protection IP	IP20

Description

The C-TERMO4 is a programmable thermostat for climatization control of an area and can be programmed for 3 operating periods and respective temperature for each day of the week.

To operate in automatic mode, it is necessary to install at least one C-CLIMA_ module in the house, that generates the time signals needed to manage the programme. The C-TERMO4 turns on and off according to the set program, controlling the temperature.

Applications

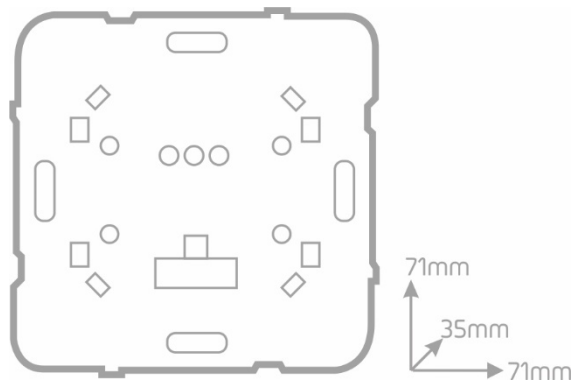
Control of air conditioning by fan-convectors in homes, shops, hospitals, clinics and hotels.

Installation

The C-TERMO4 is mounted in a deep flush-mounting box (60 mm), where the OT-TERMO_ touch panel will be attached.

Features

- Programs for different climate control for winter and summer
- ON/OFF control, fan speed and control of the electro valve
- Autonomous manual operation with preset comfort temperature
- Radio Frequency Transmitter Receiver



Nota:

It is necessary the touch panel OT-TERMO_ to operate the C-TERMO4 command.



Danger - Electric Shock Risk!

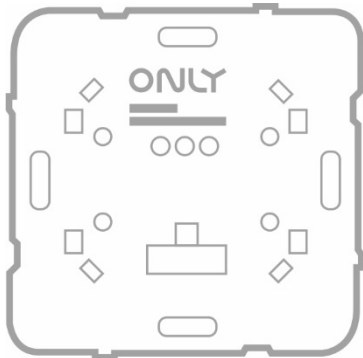
Switch off the power before any intervention.

Handling by qualified and authorized persons only.

Subject to change without notice

Enancer Electrónica, Lda

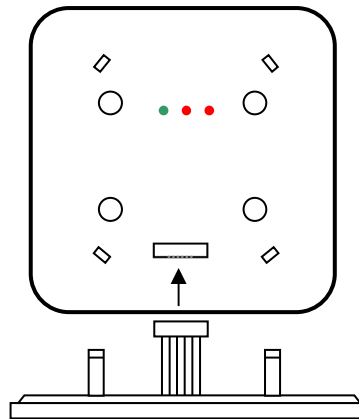
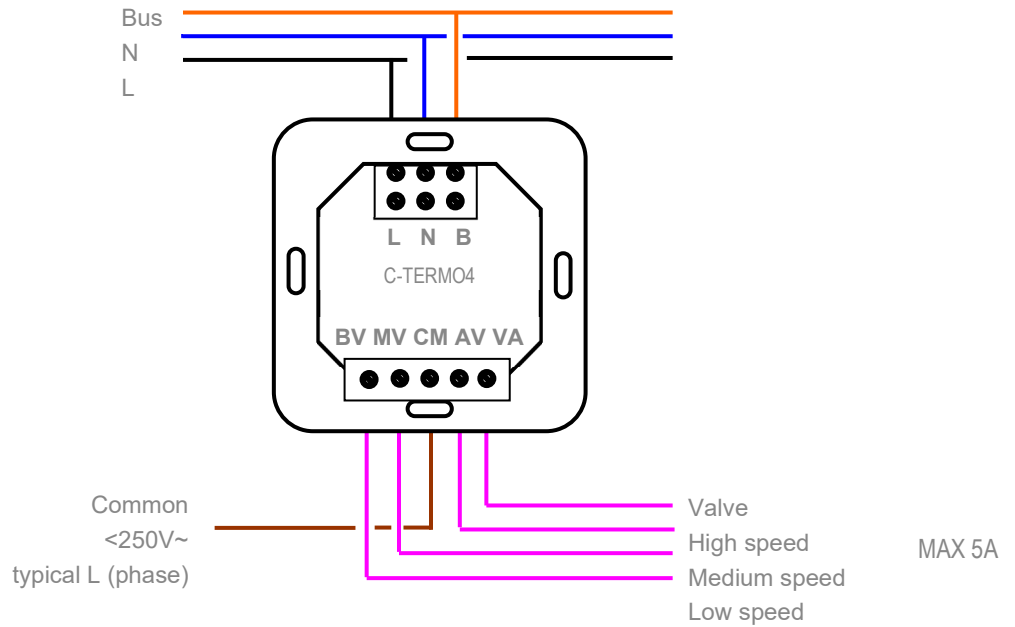
Rua Max Grundig, 9
4705-820 Braga Portugal
Tel: +351 253 221 484
info@only-smartbuildings.com



In Wall
C-TERMO4

4 outputs programmable thermostat

Connection Diagram:



Danger - Electric Shock Risk!
Switch off the power before any intervention.

Handling by qualified and authorized persons only.

Subject to change without notice