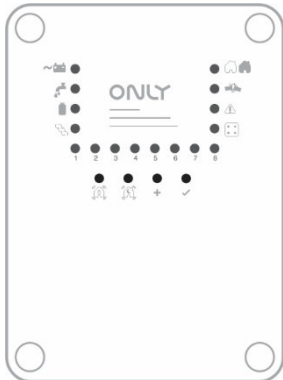




SAFETY



In Wall

CENTRALSEC

Security Central with 8 zones and telephone dialler

Technical Data

Power supply	110/230 V ~ 50/60 Hz
Peripheral power	12 V DC, 1.5 A
Consumption (w/o detectors and keyboards)	<2.5 W
Nº of zones	8
Ingress protection IP	IP20



Danger - Electric Shock Risk!

Switch off the power before any intervention.

Handling by qualified and authorized persons only.

Description

The CENTRALSEC is a security central for 8 zones with telephone dialler to a landline (PSTN). The number of zones can be increased by using up to 8 expansion units distributed through the building, each one with 4 zones with total of 40 zones.

The central is connected to the home automation BUS allowing interaction between the two systems

It is indicated for use in buildings where intrusion detection and 24 hour security are desired, with or without integration with automation.

Applications

Property protection against intrusion, water flooding, smoke, fire and gas leaks.

Integration of security with automation ONLY.

The zones are configurable via a PC software application connected to the central via RS232 or by the keypad.

The telephone dialler allows connection to 24 hour call centres by contact ID and/or to persons, reporting in this case pre-recorded messages and allowing user control via the telephone keys. Each user action is responded by a voice message that informs the performed action.

Installation

The CENTRALSEC comes in its own box and can be flush-mounted as well as just fixed to the wall.

The central provides an isolated security BUS for connecting keyboards and expander units. It also supplies continuous power and switched 12 V for the detectors.

Features

Automatic protection during the night

Distinction between confirmed and unconfirmed intruder alarm

Simulation of persons at home (along with automation)

Scenarios Totally Armed, Total Alarm and Night Alarm (for automation)

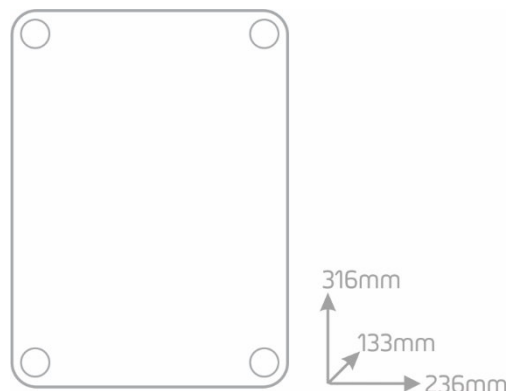
Security and automation control by telephone

Zones preconfigured at the factory but freely configurable by the installer

Relays for control of gas and water valves

8 telephone numbers

12 V battery



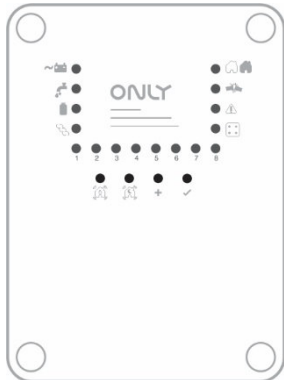
Subject to change without notice

Enancer Electrónica, Lda

Rua Max Grundig, 9
4705-820 Braga Portugal
Tel: +351 253 221 484
info@only-smartbuildings.com



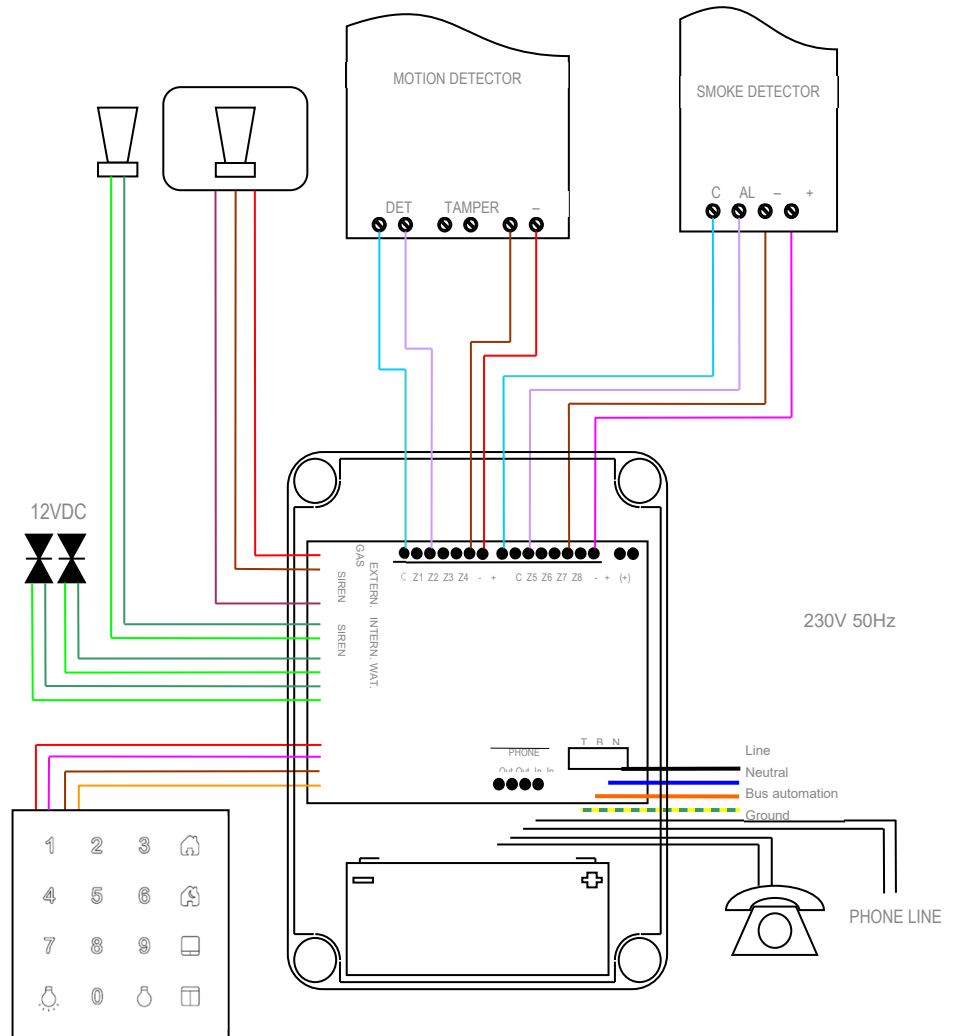
SAFETY



In Wall CENTRALSEC

Security Central with 8 zones and telephone dialler

Simplified Connection Diagram (example):



Danger - Electric Shock Risk!
 Switch off the power before any intervention.
 Handling by qualified and authorized persons only.

Subject to change without notice