

In Wall C-CLIMA2

2 outputs programmable thermostat with or without RF for keypad with display

Technical data

Power supply	110/230 V ~ 50/60 Hz
Maximum current	5 A cos Φ = 1
Ingress protection IP	IP20

Note:

It should not be used for electric floor heating.



Danger - Electric Shock Risk!
Switch off the power before any intervention.

Handling by qualified and authorized persons only.

Description

The C-CLIMA2 is a chrono thermostat to keypads with OLED display, for climatization control of an area.

When the program is defined, the module controls the temperature according to the program by turning the climate control unit on and off.

This has 6 operating modes, which allows to adjust the operation of the unit to the type of installation and be associated with another control module, to monitor a second unit that works in the same space.

Applications

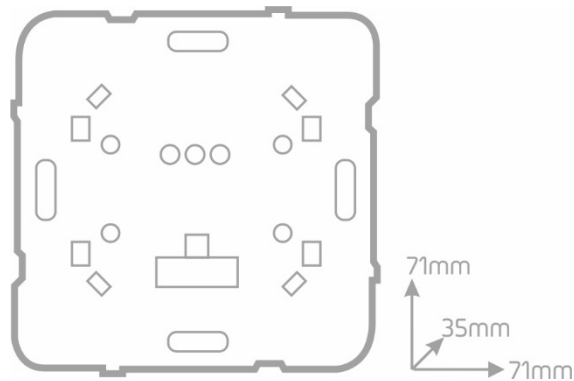
Control of climatization by boiler, radiators or water underfloor (by electro valves) in homes, shops, hospitals, clinics and hotels.

Installation

The C-CLIMA2 is mounted in a deep flush-mounting box (60 mm), where the OT-CLIMA_ touch panel will be attached.

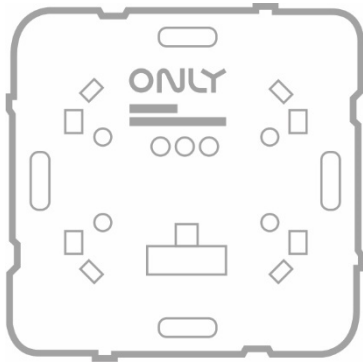
Features

- 2 relays for control of electro valve and boiler or heatpump with six operating modes
- Possibility of control another external system when combined with other switching units
- Definition of up to three periods of operation for each day of the week
- Programs for summer and winter temperature
- Allows the program edition of the units without display
- WAGO push-wire terminal connections with derivation
- Internal clock
- Radio Frequency Transmitter Receiver



71mm
35mm
71mm

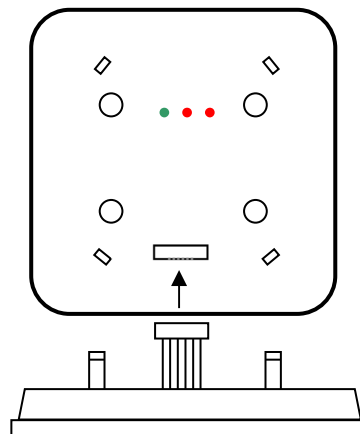
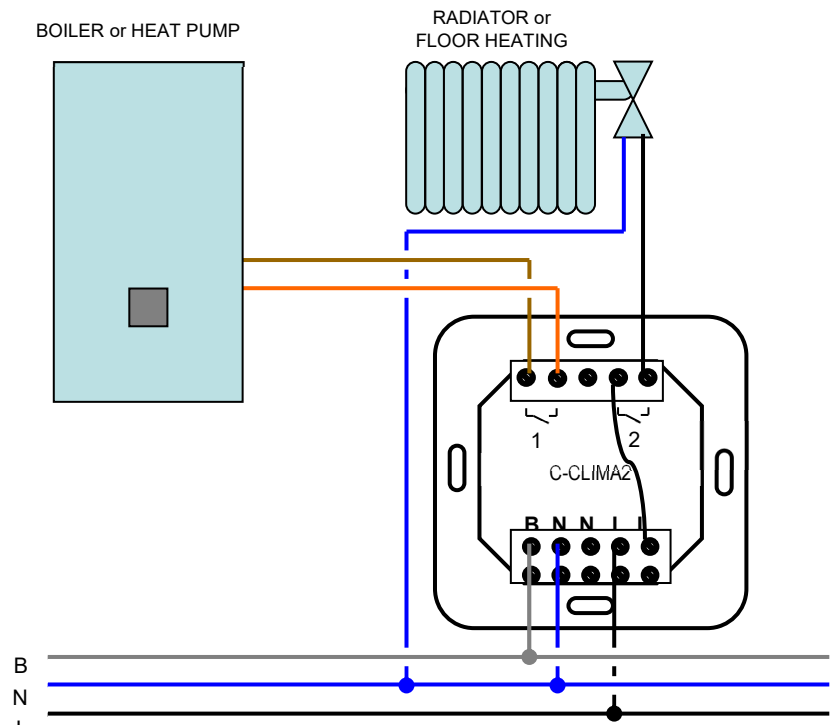
Subject to change without notice



In Wall C-CLIMA2

2 outputs programmable thermostat for keypad with display

Installation Scheme:



Danger - Electric Shock Risk!
Switch off the power before any intervention.
Handling by qualified and authorized persons only.

Note: The solenoid can be low voltage or 230V~. The maximum current in the relays is 5 amps.

Subject to change without notice