

In Wall

C-2MOT-RF

2 outputs actuator 5 A with RF

Technical data

Power supply	110/230 V ~ 50/60 Hz
Power consumption	< 0.5 W
Maximum load current	5 A cos Φ = 1
Frequency	868.3 MHz
Ingress protection IP	IP20

Note:

The C-2MOT-RF should be in a circuit with protection circuit breaker, not exceeding 5 A with cos Φ = 1.



Danger - Electric Shock Risk!

Switch off the power before any intervention.

Handling by qualified and authorized persons only.

Description

The C-2MOT-RF is an ON/OFF actuator for 2 independent outputs 5A with voltage free contacts that can receive any touch panel OT-_S_ and equipped with RF receiver/transmitter.

Applications

Control of gates, boilers or heat pumps with voltage free contact in homes, shops, hospitals, patients and hotels.

The outputs have the following operation according to the received command:

Command	Function
Any H-TX3B-RF	1 second impulse
TOGGLE	Toggle
ON/UP	On
OFF/DOWN	Off
TIMER	1 second impulse
TIMMER w/ time code	Impulse during defined time
DELAY	Delay for memorized time
DELAY w/ time code	Delay for defined time
SCENARIO	Scenario

Installation

The C-2MOT-RF is mounted in a deep flush-mounting box (60 mm), on which a touch panel OT-_S_ has to be mounted.

Features

Radio Frequency Transmitter Receiver

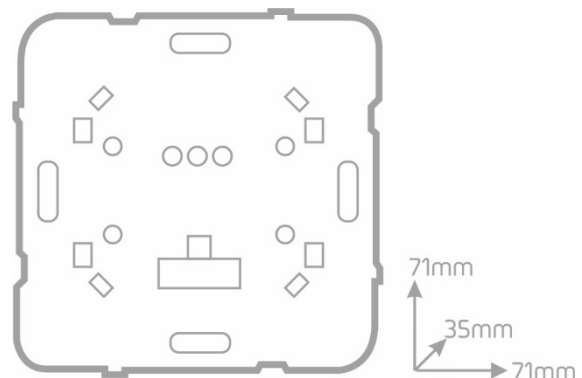
Status indication by LED

Memorizing different values for various scenarios

WAGO push-wire terminal connections with derivation

Up to 20 buttons can be stored in the internal non-volatile memory.

Operation modes: Toggle, ON, OFF, Timer, Delay and Scenario, depending on the received command



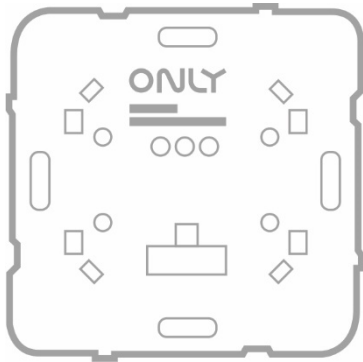
Subject to change without notice

Enancer Electrónica, Lda

Rua Max Grundig, 9
4705-820 Braga Portugal
Tel: +351 253 221 484
info@only-smartbuildings.com



ACTUATORS

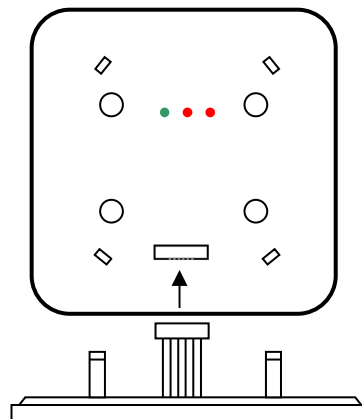
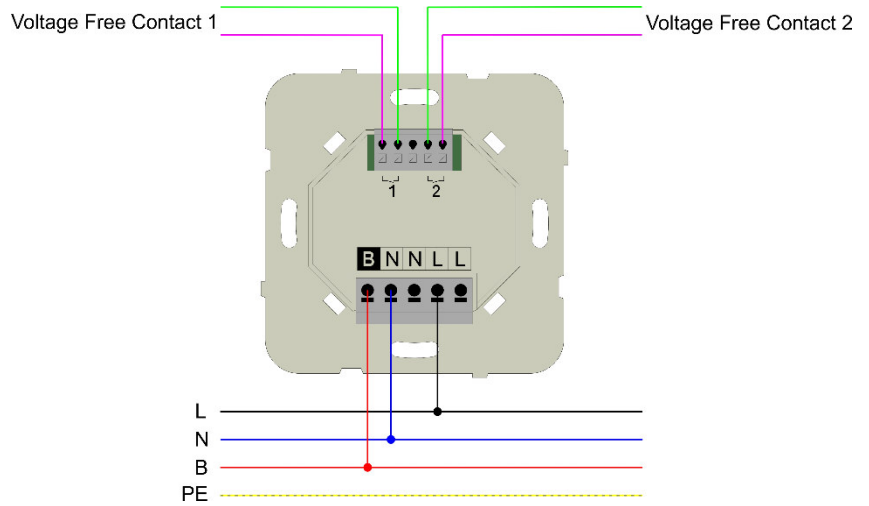


In Wall

C-2MOT-RF

2 outputs actuator 5 A with RF

Connection diagram:



Danger - Electric Shock Risk!
Switch off the power before any intervention.

Handling by qualified and authorized persons only.

Subject to change without notice