

In Wall

C-1SHU-DC

1 channel DC-motor shutter actuator.

Technical data

Power supply 110/230 V ~ 50/60 Hz
 Consumption < 0.5 W
 Relay contacts specs 5 A @ 30 VDC/cos Φ = 1
 Ingress protection IP IP20

Description

The C-1SHU-DC is a 24 VDC shutter actuator that can receive any touch panel OT-_S_. The C-1SHU-DC is equipped with 4 non-latching relays in H-bridge configuration allowing the control of DC-motors by polarity inversion. It requires an external 24 VDC power supply for the motor.

Applications

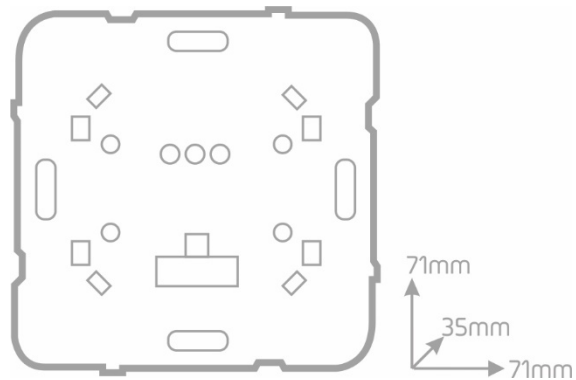
Command for shutters, sunscreens, blinds, curtains, projection screens, black-outs and other Open/Close 24 VDC equipment in homes, factories, hotels and commercial spaces.

Installation

The C-1SHU-DC is mounted in a deep flush-mounting box (60 mm), where the OT-_S_ touch panel will be attached.

Features

- 5 A relay outputs
- Local operation even without BUS connection
- Status indication by LED
- WAGO push-wire terminal connections with derivation
- Open and close time independently configured
- Various positions for different scenarios can be stored
- Up to 28 buttons can be stored in the internal non-volatile memory
- Operation modes: Toggle, Up, Down, Timer, Delay and Scenario, depending on the received command

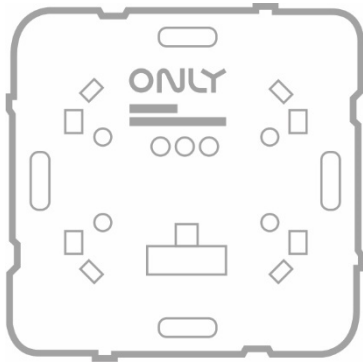


Danger - Electric Shock Risk!

Switch off the power before any intervention.

Handling by qualified and authorized persons only.

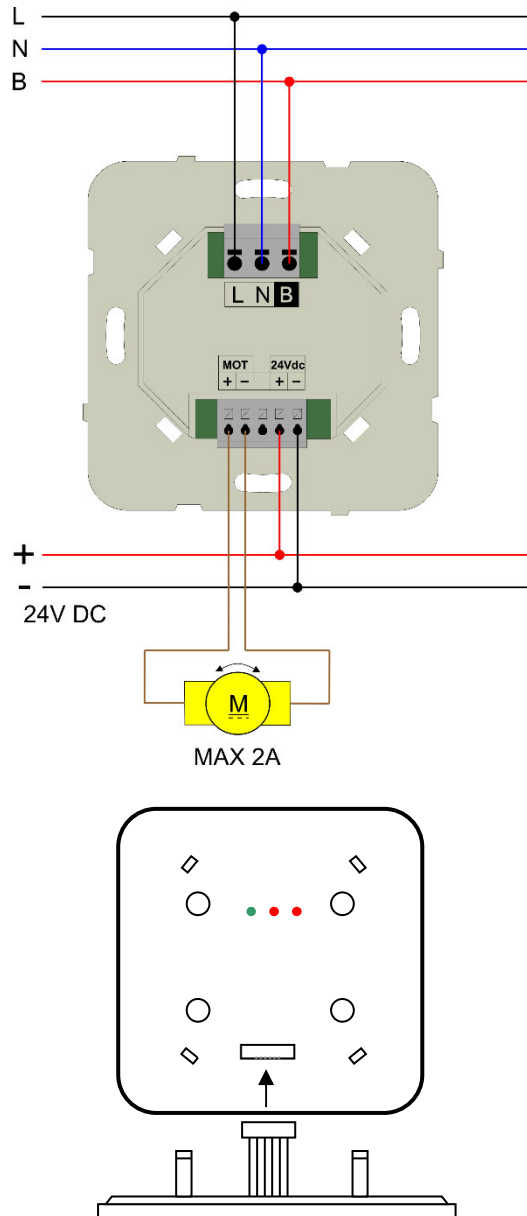
Subject to change without notice



In Wall C-1SHU-DC

1 channel DC-motor shutter actuator.

Connection Diagram:



Danger - Electric Shock Risk!
 Switch off the power before any intervention.
 Handling by qualified and authorized persons only.

Subject to change without notice