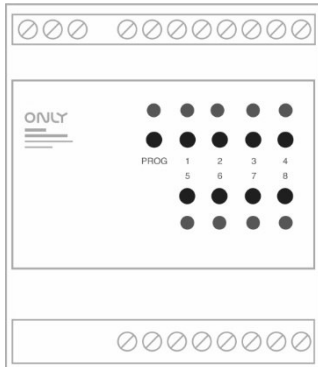




ACTUATORS



DIN Rail D-8OUT

DIN Rail 8 outputs ON/OFF actuator 16 A with 3 binary inputs

Technical data

Power supply	110/230 V ~ 50/60 Hz
Power consumption	< 0.5 W
Maximum load current	16 A cos Φ =1
Inrush current	165 A / 20 ms
Ingress protection IP	IP20

Description

The D-8OUT is an ON/OFF actuator to switch 8 independent loads up to 16 A.

The outputs are made with independent voltage free contacts. It is therefore possible to switch lines of several phases including low-voltage signals.

The supply of the module is independent from the loads.

In the module with 3 binary inputs, these can be used for the reading of push buttons, auxiliary contacts or detectors, reporting any change through the BUS.

The inputs detect the status of contacts connected between the Neutral and its input.

Applications

Switching of lights, switches, contactors, irrigation systems or other switchable loads in homes, shops, hospitals, clinics and hotels.

Installation

The D-8OUT is mounted on DIN Rail, occupying 5 modules of 17.5 mm.

Módulos disponíveis

Nome	3 Binary Inputs	8 Binary Outputs
D-8OUT		✓

Features

ON/OFF actuator with bi-stable relays for 8 outputs of 16 A

3 binary inputs

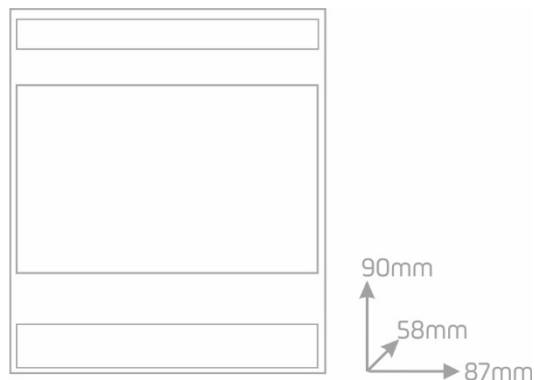
Local operation even without BUS connection

Status indication by LED

Memorizing different values for various scenarios

Up to 20 buttons can be stored in the internal non-volatile memory.

Operation modes: Toggle, ON, OFF, Timer, Delay and Scenario, depending on the received command



Danger - Electric Shock Risk!

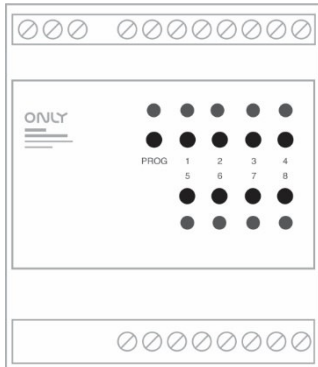
Switch off the power before any intervention.

Handling by qualified and authorized persons only.

Subject to change without notice

Enancer Electrónica, Lda

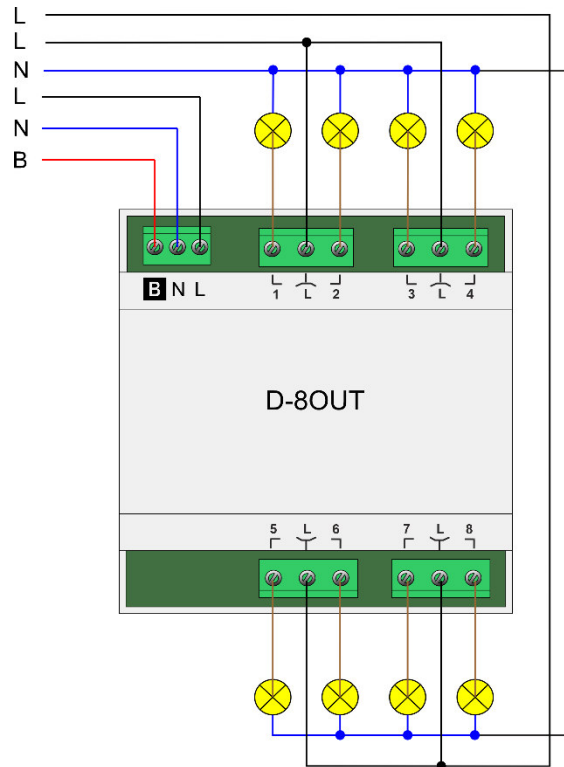
Rua Max Grundig, 9
4705-820 Braga Portugal
Tel: +351 253 221 484
info@only-smartbuildings.com



**DIN Rail
D-8OUT**

DIN Rail 8 outputs ON/OFF actuator 16 A with 3 binary inputs

Connection diagram:



Danger - Electric Shock Risk!
Switch off the power before any intervention.
Handling by qualified and authorized persons only.

Subject to change without notice