



### Description

The D-4TERMO is a DIN rail climate control actuator to control the ambient air heating / cooling systems. This control is made by potential-free relay contacts.

For control and information of the air temperature, each thermostat must be paired to a wall keypad of the type OT-T\_S\_ / OT-MF installed on any command C-\_OUT\_, C-1SHU, C-IN\_, etc.

### Applications

Control of climatization by boiler, radiators or radiant floor, in homes, shops, hospitals, clinics and hotels.

### Installation

The D-4TERMO is made for DIN rail mounting, occupying 3 modules of 17.5 mm.

### Features

Allows the outputs manual control with status indication by LED's

Allows independent control of 4 zones.

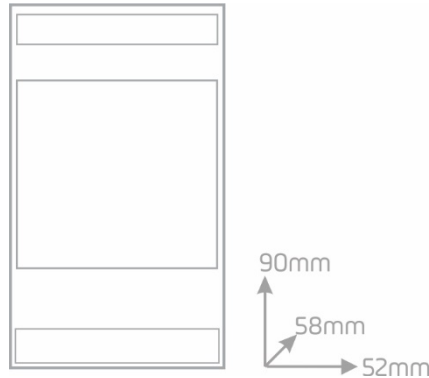
## DIN Rail

# D-4TERMO

DIN Rail 4-channel independent and programmable thermostat actuator

### Technical data

Power supply	110/230 V ~ 50/60 Hz
Consumption	< 1.5 W
Maximum current	16 A cos Φ = 1
Ingress protection IP	IP20



**Danger - Electric Shock Risk!**  
Switch off the power before any intervention.

Handling by qualified and authorized persons only.

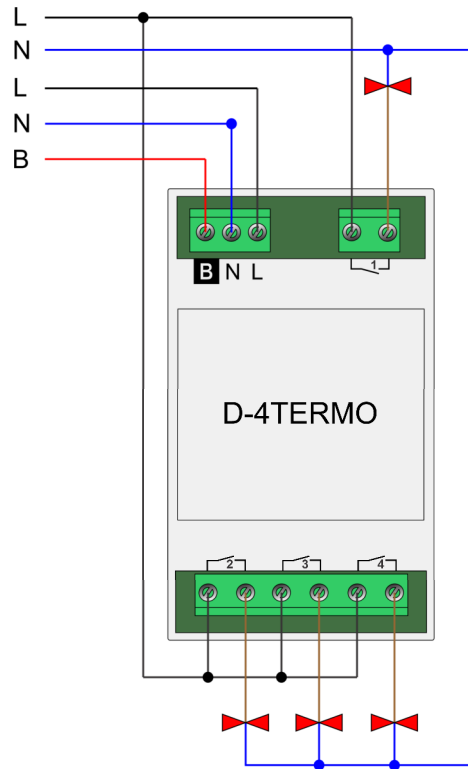
Subject to change without notice



### DIN Rail D-4TERMO

DIN Rail 4-channel independent and programmable thermostat actuator

Connection Diagram:



**Danger - Electric Shock Risk!**  
Switch off the power before any intervention.  
Handling by qualified and authorized persons only.

Subject to change without notice