

## In Wall

# C-TERMO4

4 outputs programmable thermostat

### Technical data

Power supply 110/230 V ~ 50/60 Hz  
Maximum current 5 A cos  $\Phi = 1$   
Ingress protection IP IP20

### Description

The C-TERMO4 is a programmable thermostat for climatization control of an area and can be programmed for 3 operating periods and respective temperature for each day of the week.

To operate in automatic mode, it is necessary to install at least one C-CLIMA\_ module in the house, that generates the time signals needed to manage the programme. The C-TERMO4 turns on and off according to the set program, controlling the temperature.

### Applications

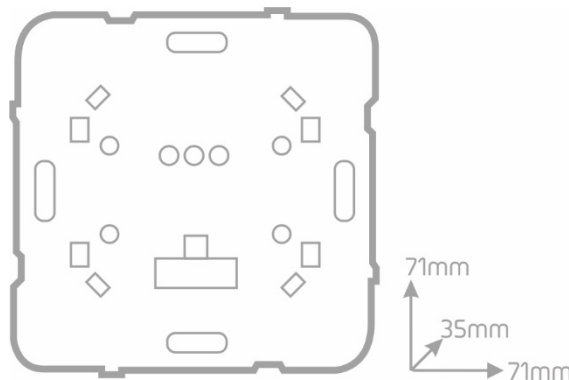
Control of air conditioning by fan-convectors in homes, shops, hospitals, clinics and hotels.

### Installation

The C-TERMO4 is mounted in a deep flush-mounting box (60 mm), where the OT-TERMO\_ touch panel will be attached.

### Features

Programs for different climate control for winter and summer  
ON/OFF control, fan speed and control of the electro valve  
Autonomous manual operation with preset comfort temperature  
Radio Frequency Transmitter Receiver



Nota:

It is necessary the touch panel OT-TERMO\_ to operate the C-TERMO4 command.

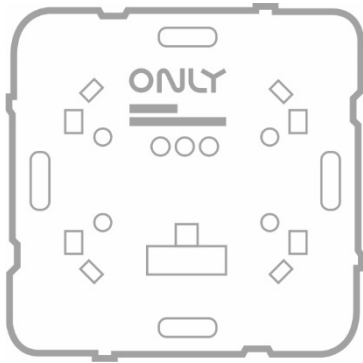


**Danger - Electric Shock Risk!**

**Switch off the power before any intervention.**

**Handling by qualified and authorized persons only.**

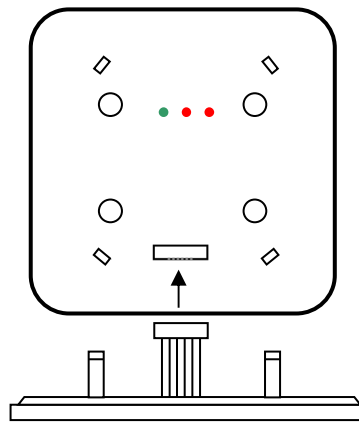
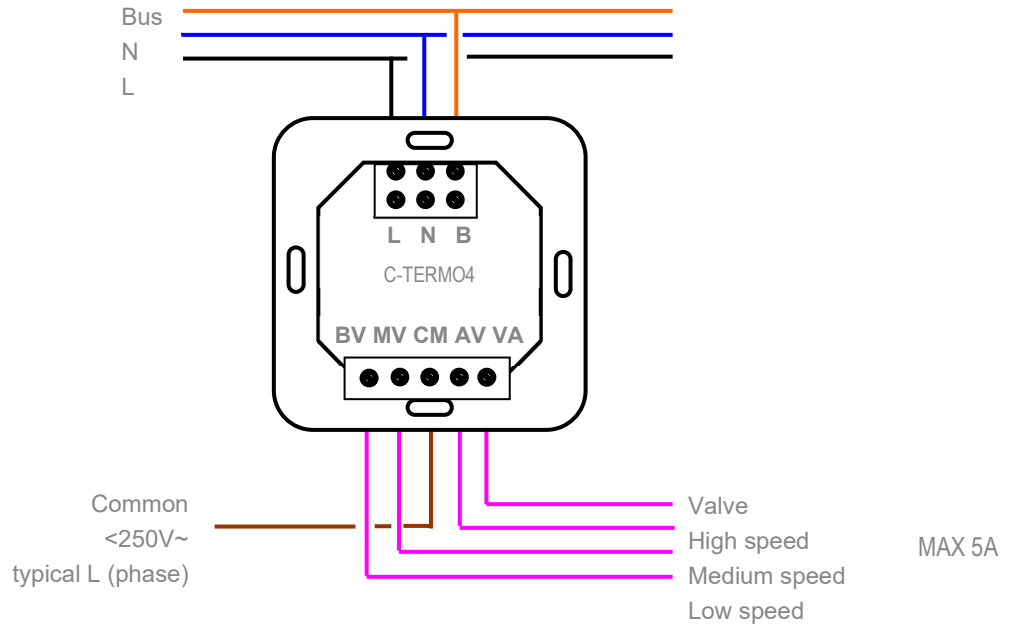
Subject to change without notice



### In Wall C-TERMO4

4 outputs programmable thermostat

Connection Diagram:



**Danger - Electric Shock Risk!**  
Switch off the power before any intervention.  
Handling by qualified and authorized persons only.

Subject to change without notice