

In Wall

C-TERMO2

2 outputs programmable thermostat

Technical data

Power supply 110/230 V ~ 50/60 Hz
Maximum current 5 A cos Φ = 1
Ingress protection IP IP20

Description

The C-TERMO2 is a programmable thermostat for climatization control of an area and can be programmed for 3 operating periods and respective temperature for each day of the week.

To operate in automatic mode, it is necessary to install at least one C-CLIMA_ module in the house, that generates the time signals needed to manage the programme. The C-TERMO2 turns on and off according to the set program, controlling the temperature

Applications

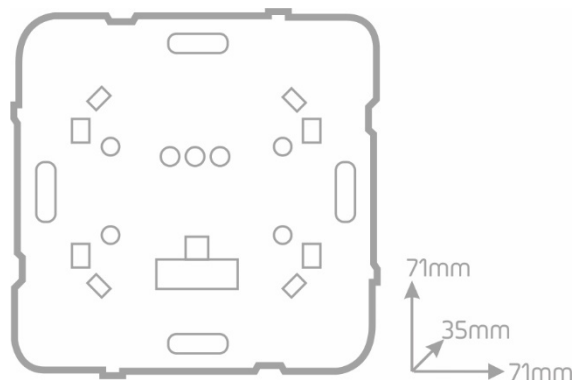
Control of climatization by boiler, radiators or water underfloor (by electro valves) in homes, shops, hospitals, clinics and hotels.

Installation

The C-TERMO2 is mounted in a deep flush-mounting box (60mm), where the touch panel will be attached.

Features

2 relays for control of electro valve and boiler or heatpump with 6 operating modes
Autonomous manual operation with preset comfort temperature
WAGO push-wire terminal connections with derivation
Radio Frequency Transmitter Receiver



Nota:

It is necessary the touch panel OT-TERMO_ to operate the audio command.

Do not use in electric radiating floor.

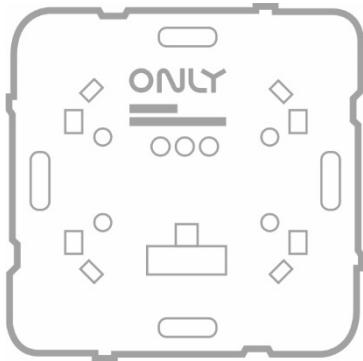


Danger - Electric Shock Risk!

Switch off the power before any intervention.

Handling by qualified and authorized persons only.

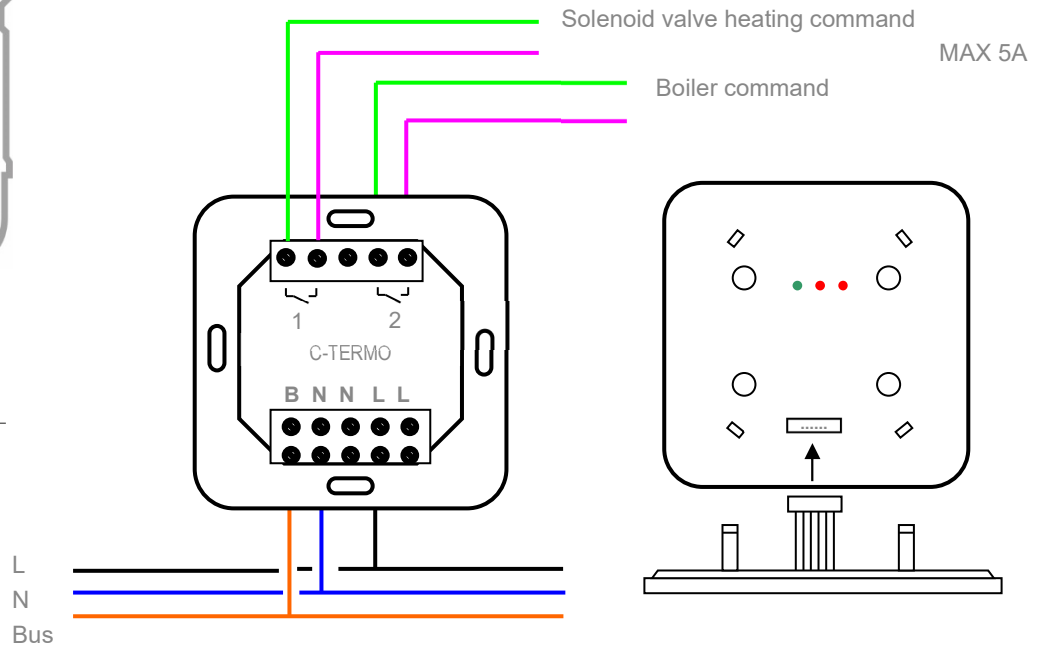
Subject to change without notice



In Wall
C-TERMO2

2 outputs programmable thermostat

Connection Diagram:



Note: A solenoid valve may be low voltage or 230V. The maximum relay current is 5 amps.



Danger - Electric Shock Risk!
Switch off the power before any intervention.
Handling by qualified and authorized persons only.

Subject to change without notice