

DIN Rail D-RGB

DIN Rail RGB LED Strip dimming actuator

Technical data

Power supply	110/230 V ~ 50/60 Hz
Consumption	< 0.5 W
Maximum RGB load current	3 x 6.5 A
Ingress protection IP	IP20

Description

The D-RGB is a DIN Rail actuator, implementing the control of one RGB LED strip. It requires an external 12/24 VDC power supply (not included) for the LED strip.

Applications

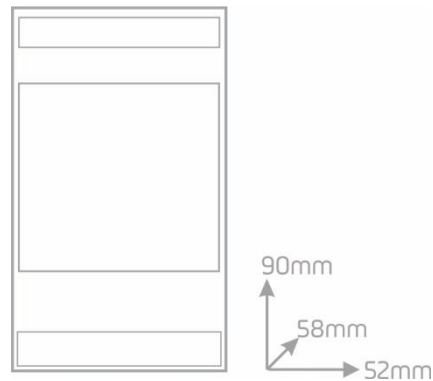
HSL dimming of RGB LED strips in homes, shops, hospitals, clinics and hotels.

Installation

The D-RGB is mounted on DIN rail, occupying 3 modules of 17.5 mm.

Features

- Dimming 0-100%
- Selectable Hue 0-360°
- Saturation level fixed, 100%
- Sequential selection of colour presets: Red, Green, Blue, White, Off
- Control trough local buttons
- Output state indicated by LED
- Automatic storage of last working mode
- Up to 20 buttons can be stored in the internal non-volatile memory.
- Operation modes: Toggle, ON, OFF, Timer, Delay and Scenario, depending on the received command



Danger - Electric Shock Risk!
Switch off the power before any intervention.

Handling by qualified and authorized persons only.

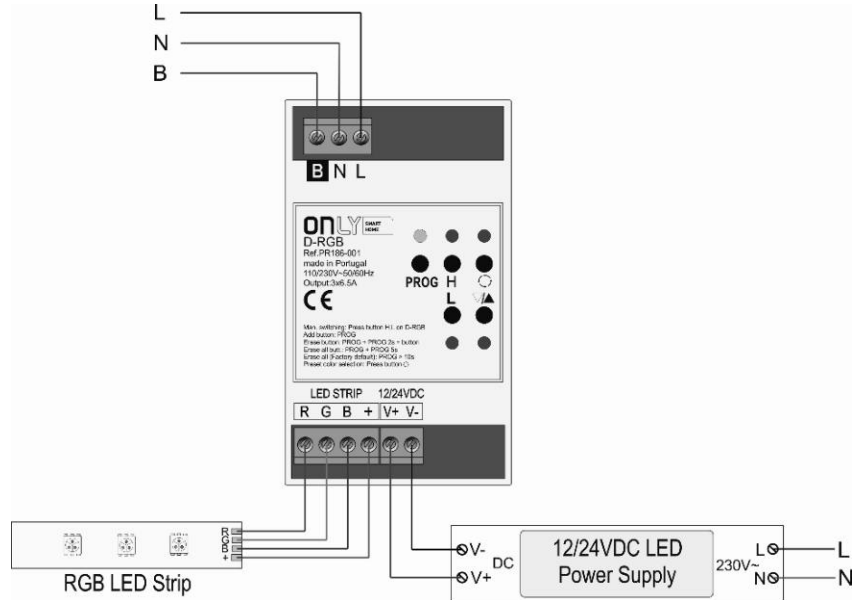
Subject to change without notice



DIN Rail D-RGB

DIN Rail RGB LED Strip dimming actuator

Connection Diagram:



Danger - Electric Shock Risk!
 Switch off the power before any intervention.
 Handling by qualified and authorized persons only.

Subject to change without notice