
**In-Wall**
**C-FM\_**

Audio command with FM RDS, Bluetooth, 2 auxiliary inputs and 2 zones.

**Technical data**

Audio input	2.0 V rms
Audio output	0 a 2.0 V rms
SNR	80 dBA wtd.
Crosstalk	> 60 dB Max.
Consumption	< 1 W
Power supply	12 V DC

FM radio:	
Band	87.5 ... 108 MHz
Sensibility	18 kHz
SNR (mono)	65 dBA Wtd.

Bluetooth:	
Standard	V3.0, classe 2
Frequency band	2.4 ~ 2.48 GHz
Operating range	10 meters
Sensitivity	-85 dBm in 0.1% BER
Ingress protection IP	IP20

Note:

It is necessary the touch panel OT-FM\_ to operate the audio command.



**Danger - Electric Shock Risk!**

Switch off the power before any intervention.

Handling by qualified and authorized persons only.

**Description**

The C-FM\_ is a audio command with local FM RDS tuner, 2 stereo audio inputs (see options table), volume control for 2 separate zones, Bluetooth, alarm clock and timer.

The C-FM\_ receives a touch panel OT-FM\_ with OLED display and illuminated touch sensor keys.

**Applications**

Ambient audio system in homes, shops, hospitals, clinics and hotels.

The C-FM\_ performs as a preamplifier providing the regulated audio for further amplification. It is indicated for audio installations with active speakers or solutions with separate amplification both with low impedance as well as with 100 V transformers.

The digital volume control for 2 zones allows that a unit installed for example in the bedroom, supplies the same sound for the bathroom, with an independent volume control. The control in the bathroom is done by the automation buttons that are associated to the unit.

Both sound outputs have a line 'driver' allowing connection of several power amplifiers to the same output.

Case the ONLY amplifier is used, up to 3 amplifiers can be connected to the left and right channels.

**Instalação**

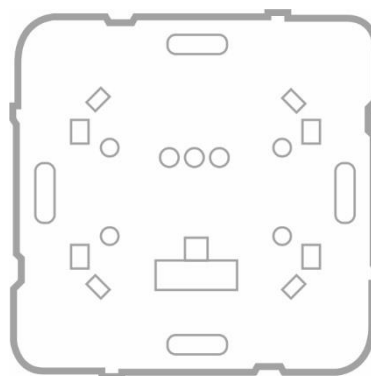
The C-FM\_ is mounted in a deep flush-mounting box (60 mm), where the OT-FM\_ touch panel will be attached.

**Available Units**

Name	Zones	BT	FM
C-FMC	1		✓
C_FMBT-C	1	✓	✓
C_FM2Z	2		✓
C-FMBT-2Z	2	✓	✓

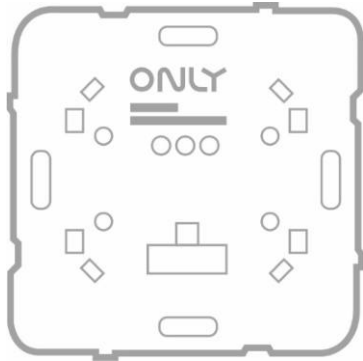
**Features**

- Stereo FM with RDS
- Bluetooth receiver
- 2 auxiliary stereo inputs on the back
- Station search in both directions with frequency indication
- Digital volume control for 2 zones
- Stereo or mono functioning
- Control of Loudness, Bass and Treble
- Alarm clock with timer function



71mm  
35mm  
71mm

Subject to change without notice



**In-Wall  
C-FM\_**

Audio command with FM RDS, Bluetooth, 2 auxiliary inputs and 2 zones.

Typical installation:

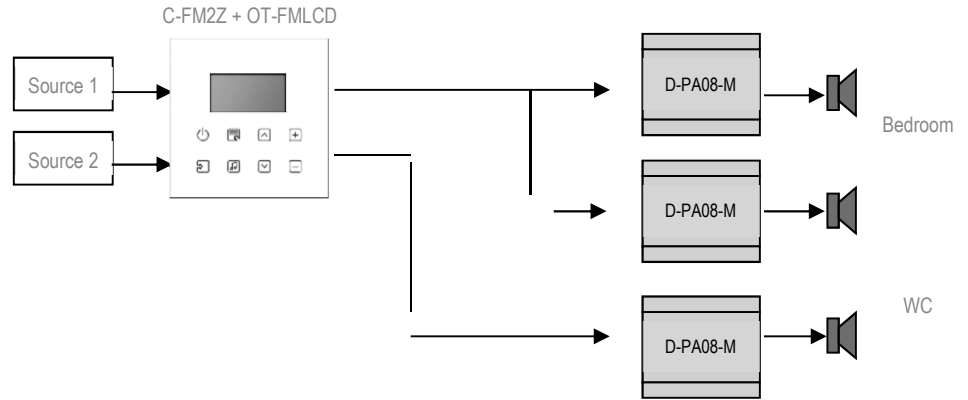


Fig. 1: Simple installation for 2 zones

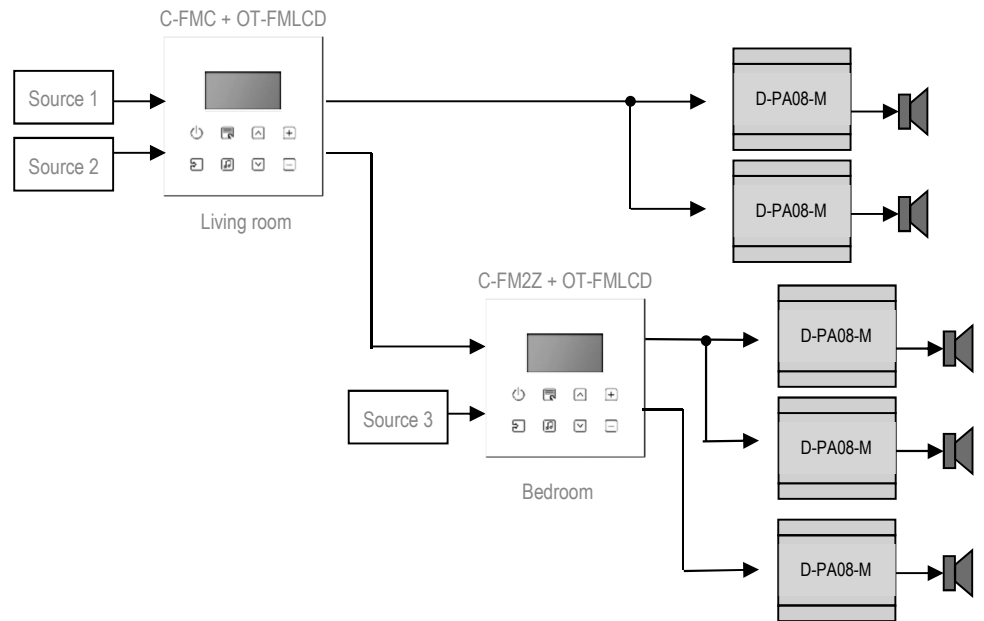


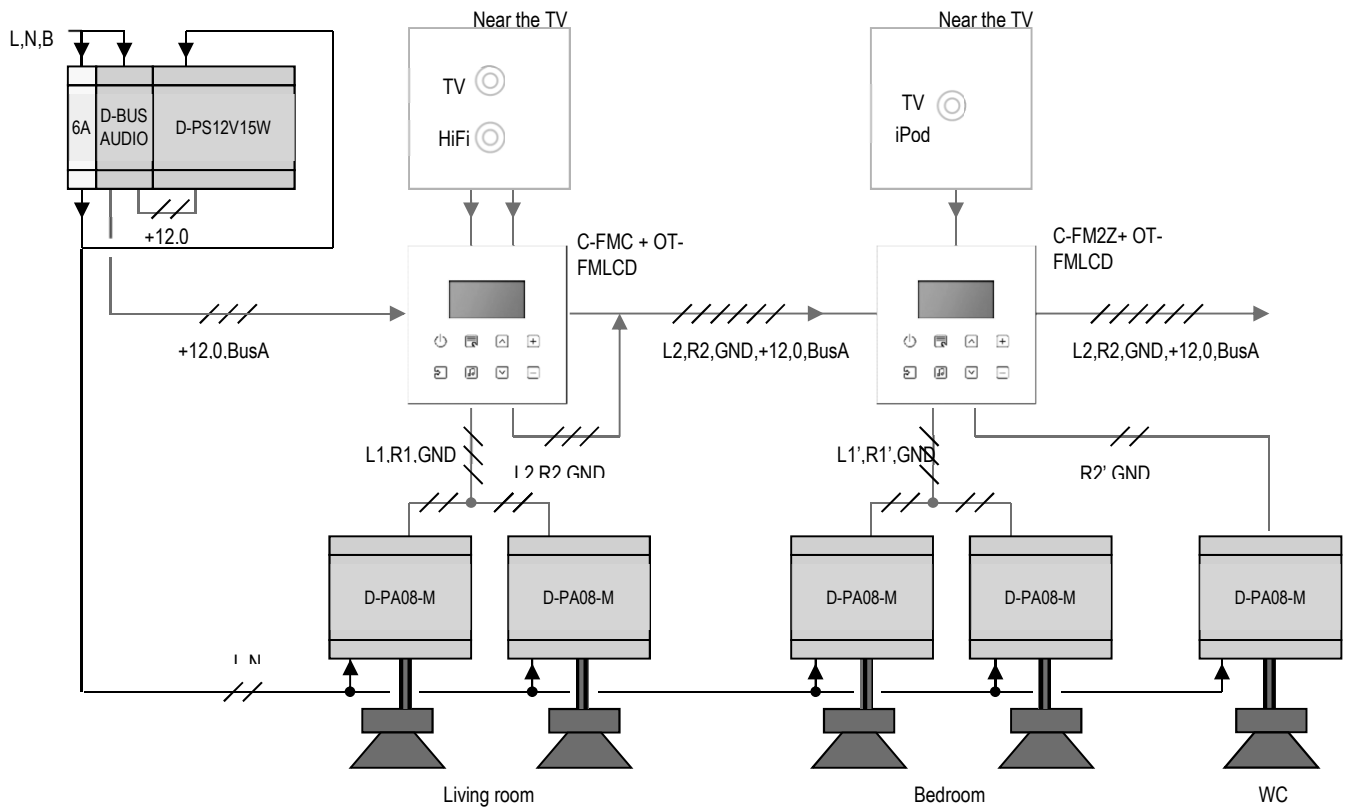
Fig. 2: Multi-room installation with central and local sound



**Danger - Electric Shock Risk!**  
Switch off the power before any intervention.  
Handling by qualified and authorized persons only.

Subject to change without notice

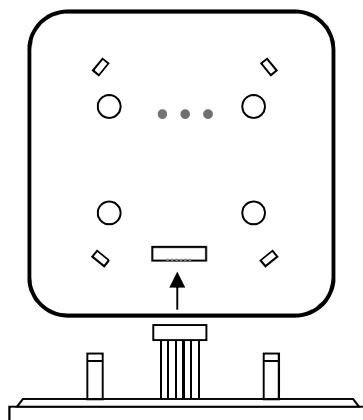
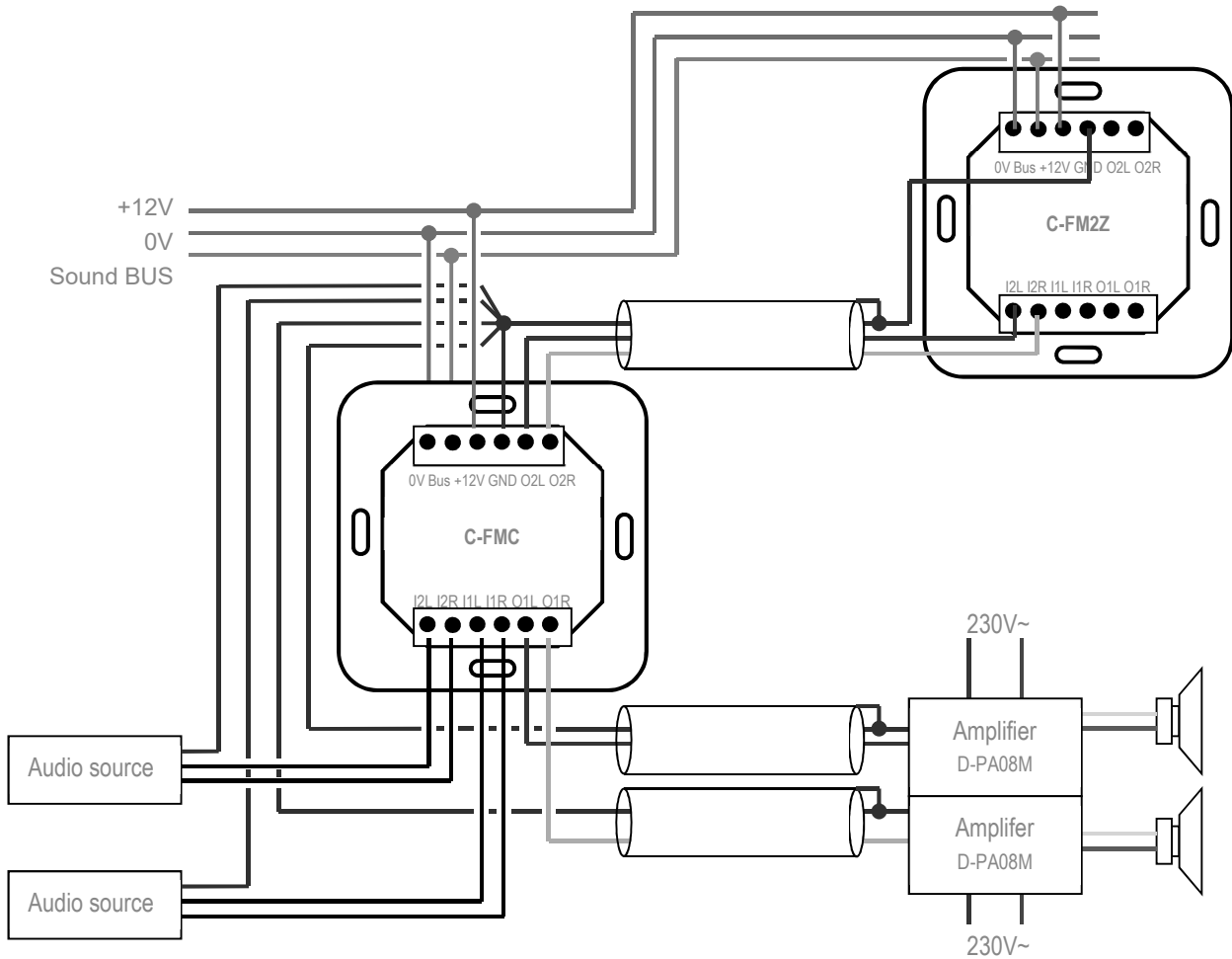
Wiring Project:





# AUDIO

Connection diagram:



### VERY IMPORTANT:

The digital ground **0V** should not be connected to the analogical ground **GND** at any point of the installation as it can create noise in the sound.