

Description

The D-PS12V15W is a linear power supply of 12 V and 15 W. It is indicated for supplying until 15 audio units C-FM_.

Applications

Ambient audio systems in homes, shops, hospitals, clinics and hotels.

Installation

The D-PS12V15W is mounted on DIN Rail, occupying 5 modules of 17.5 mm.

Features

Linear regulated 12 V DC power supply
Maximum current 1.2 A

DIN Rail

D-PS12V15W

DIN Rail power supply for the audio system.

Technical data

Power supply	230 V ~ 50 Hz
Output voltage	12 V DC
Maximum current	1.2 A
Fuse	T1.25A/250 V
Ingress protection IP	IP20



Note:

The D-PS12V15W is equipped with a fuse to protect your circuits.

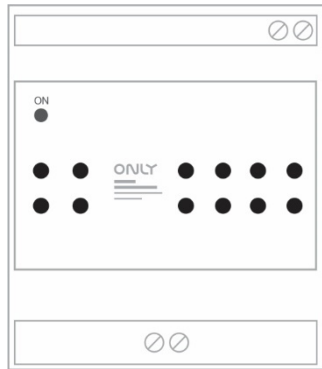


Danger - Electric Shock Risk!

Switch off the power before any intervention.

Handling by qualified and authorized persons only.

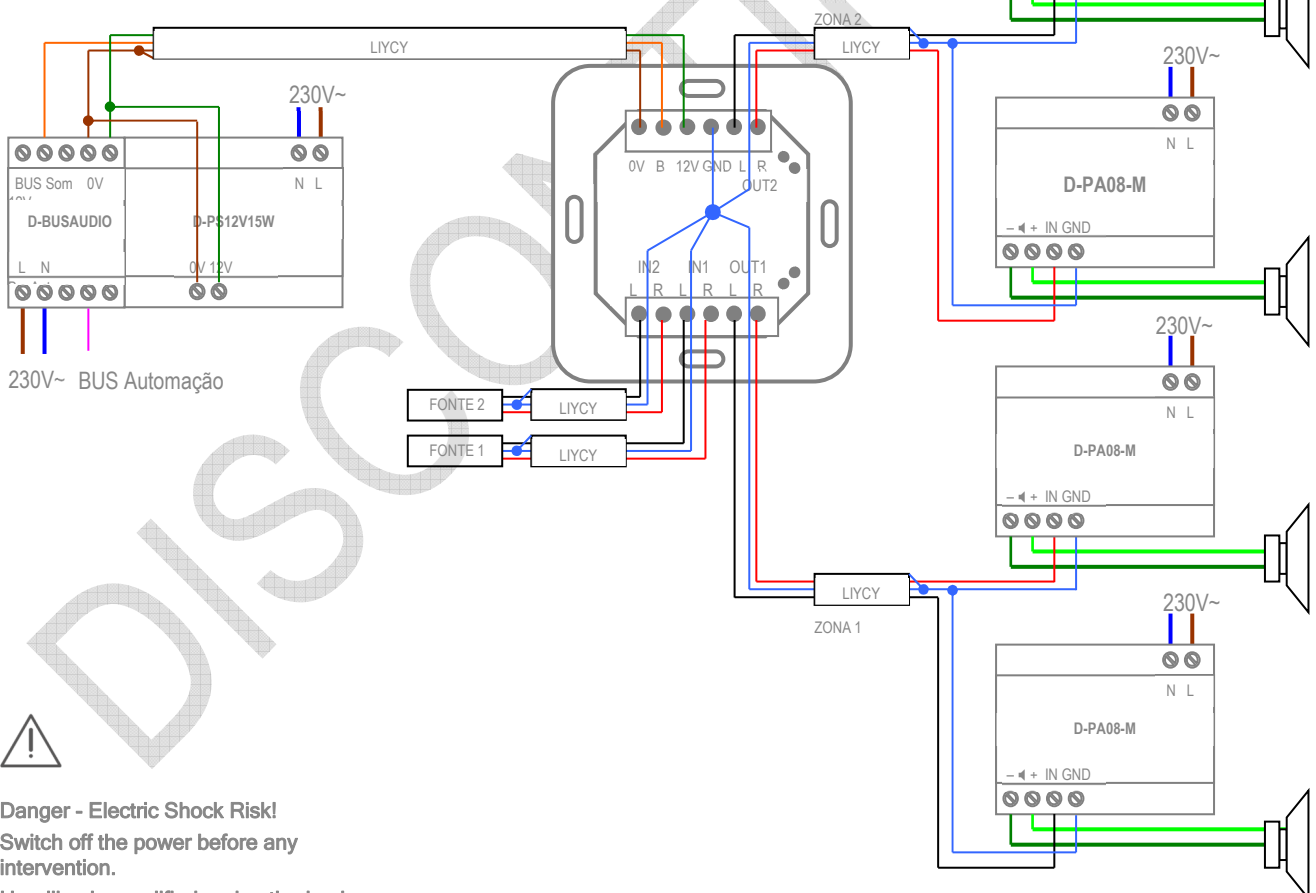
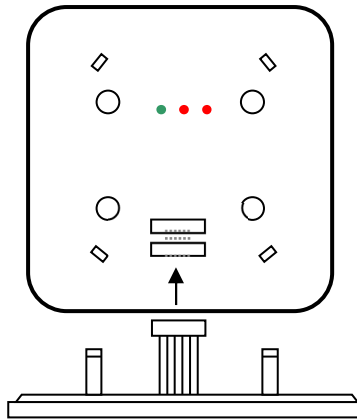
Subject to change without notice



**DIN Rail
D-PS12V15W**

DIN Rail power supply for the audio system.

Connection diagram:



Danger - Electric Shock Risk!
Switch off the power before any intervention.
Handling by qualified and authorized persons only.

Subject to change without notice