



DIN Rail D-BUSAUDIO

DIN Rail BUS line driver and coupler for the audio system.

Technical data

Power Supply	110/230 V ~ 50/60 Hz
Output voltage	12 V DC
Consumption	< 1 W
Maximum BUS current	24 mA
Ingress protection IP	IP20

Description

The D-BUSAUDIO is a device to isolate the automation and audio system BUS, allowing communication between them. In case of defect on one of the BUS segments, there will be no problem on the other side.

There is a visualization of the BUS status (audio and automation) through LEDs. When the LED is green, the BUS is working correctly and when it is red, an anomaly exists. The output BUSAUDIO has a BUS driver built in.

Applications

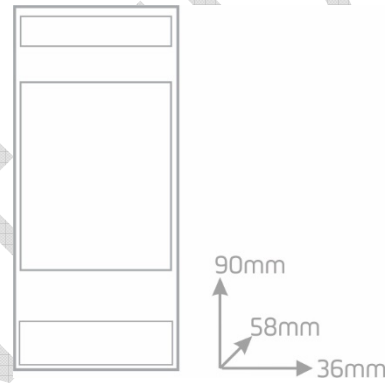
Ambient audio system in homes, shops, hospitals, clinics and hotels.

Installation

The D-BUSAUDIO is mounted on DIN Rail, occupying 2 modules of 17.5 mm.

Features

Galvanic isolation (opto-coupler) between both side.



Note:

Can supply the BUS until 20 audio units.



Danger - Electric Shock Risk!
Switch off the power before any intervention.

Handling by qualified and authorized persons only.

Subject to change without notice



AUDIO



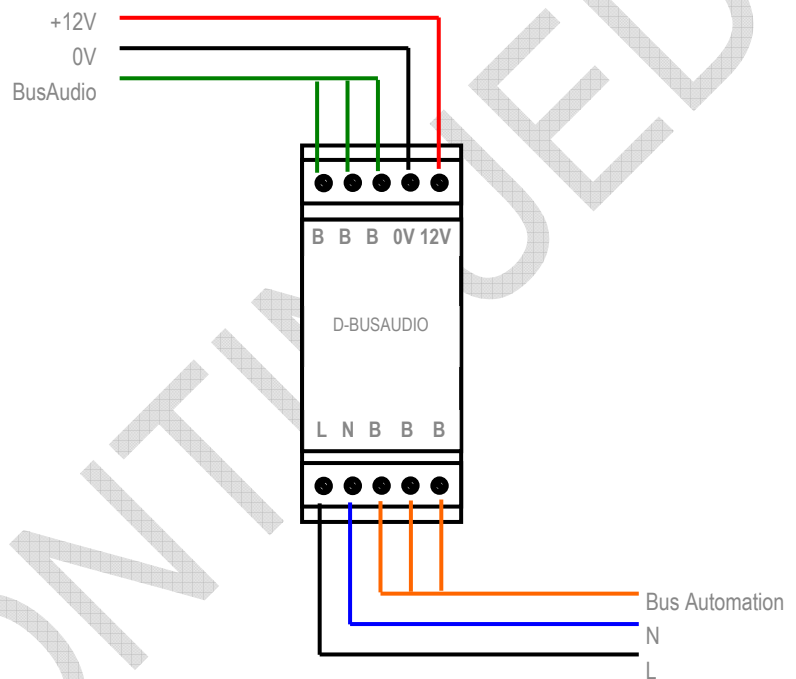
**DIN Rail
D-BUSAUDIO**

DIN Rail BUS line driver and coupler for the audio system.

Connection diagram:

Note 1: The output BUSAUDIO has a bus driver built in

Note 2: It is mandatory to connect the power supply on both sides since each side needs its own supply.



Danger - Electric Shock Risk!

Switch off the power before any intervention.

Handling by qualified and authorized persons only.

Subject to change without notice