

DIN Rail

D-1DIMDW

DIN Rail LED Dynamic White strip actuator

Technical data

Power supply 110/230 V ~ 50/60 Hz
 Consumption < 0.5 W
 Maximum current of the load 2 x 6.5 A
 Ingress protection IP IP20

Description

The D-1DIMDW is an actuator in DIN Rail, implementing the control of LED Dynamic White strips. It requires an external 12/24 VDC power supply for the LED's (not included).

Applications

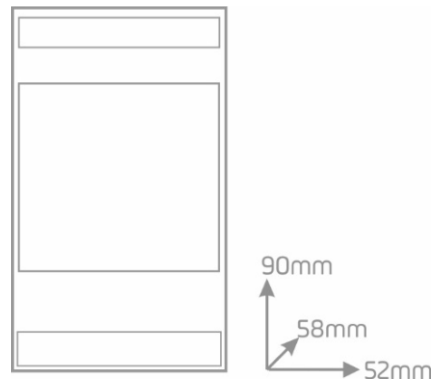
White color temperature control from warm tones (2700-3000K), through cold tones to daylight (5000 -6000K) in homes, shops, hospitals, clinics and hotels.

Installation

The D-1DIMDW is mounted on DIN Rail, occupying 3 modules of 17.5 mm.

Features

- Dimming 0-100%
- Color temperature setting 0-100% (0% = cold light / 100% = warm light)
- Local control
- Output state indicated by LED
- Automatic memory of last selected light level
- Up to 20 buttons can be stored in the internal non-volatile memory.
- Operation modes: Toggle, ON, OFF, Timer, Delay and Scenario, depending on the received command



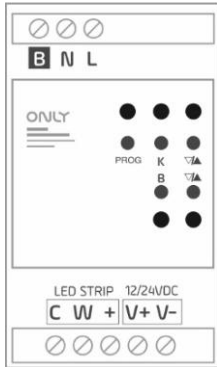
Danger - Electric Shock Risk!
 Switch off the power before any intervention.

Handling by qualified and authorized persons only.

Subject to change without notice



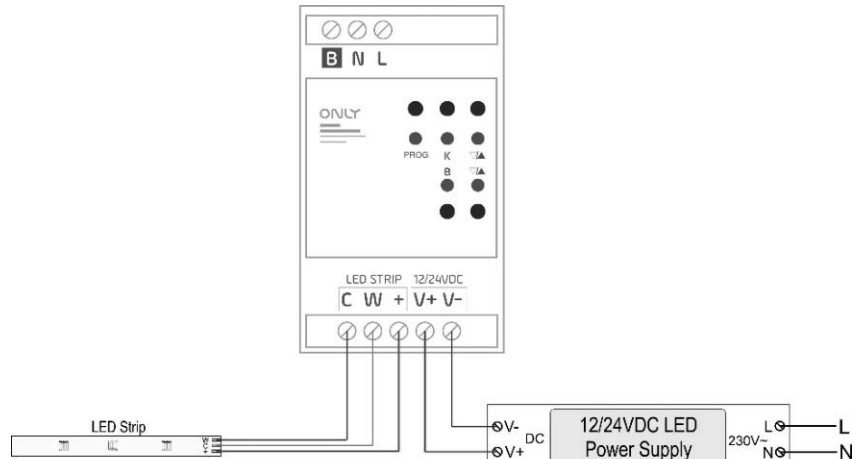
LIGHTING



DIN Rail D-1DIMDW

DIN Rail LED Dynamic White strip actuator

Connection Diagram:



Danger - Electric Shock Risk!
Switch off the power before any intervention.
Handling by qualified and authorized persons only.

Subject to change without notice