

In Wall

S-1SHU-4B

1 channel 230 V~ shutter actuator 8 A with 4 buttons

Technical data

| | |
|-----------------------|---------------|
| Power supply | 230 V ~ 50 Hz |
| Consumption | < 1.5 W |
| Maximum load current | 8 A cos Φ =1 |
| Ingress protection IP | IP20 |

Description

The S-1SHU-4B is a 230 V~ shutter actuator that includes 4 push buttons.

Applications

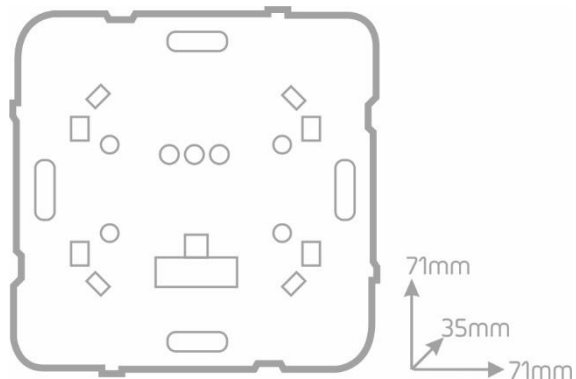
Command for shutters, sunscreens, blinds, curtains, projection screens and black-outs of 230 V~ in homes, shops, hospitals, clinics and hotels.

Installation

The S-1SHU-4B is mounted in a deep flush-mounting box (60 mm). The fixing frame can be broken for installation inside the switch box behind other command equipment with push buttons. It is necessary a minimum of 85 mm depth when other push buttons are used.

Features

- 8 A relay outputs
- Local operation even without BUS
- Status indication by LED
- WAGO push-wire terminal connections with derivation
- Open and close time independently configured
- Various positions for different scenarios can be stored
- Up to 28 buttons can be stored in the internal non-volatile memory
- Operation modes: Toggle, Up, Down, Timer, Delay and Scenario, depending on the received command



Note:

Enables the connection up to 4 push buttons through a connection cable to the connector dedicated in front of the module.

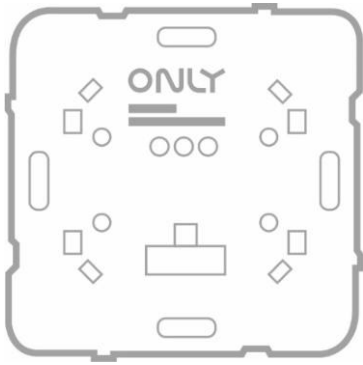


Danger - Electric Shock Risk!

Switch off the power before any intervention.

Handling by qualified and authorized persons only.

Subject to change without notice

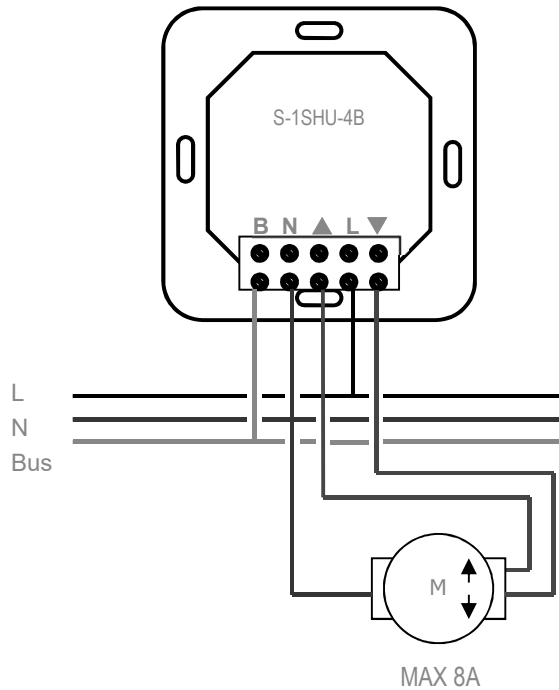
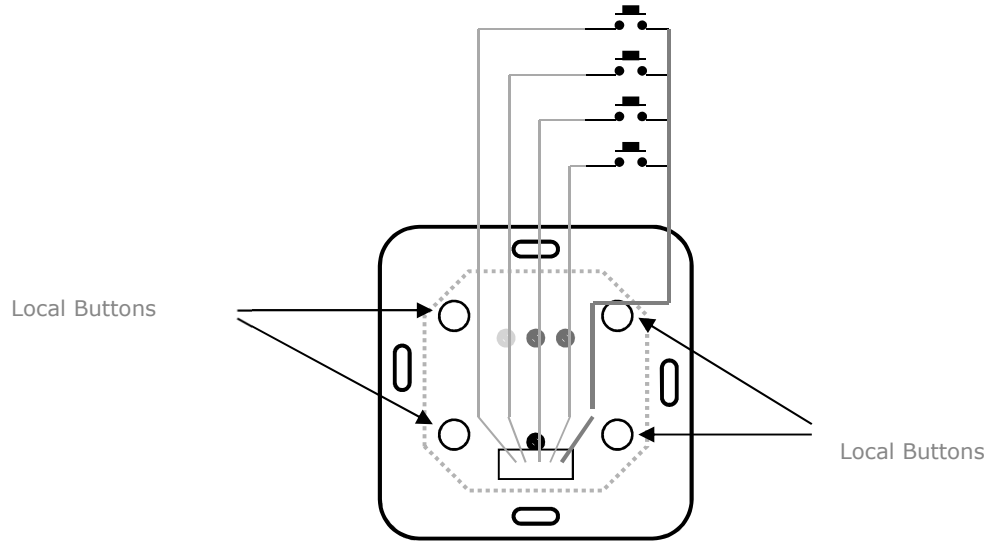


In Wall

S-1SHU-4B

1 channel 230 W~ shutter actuator 8 A with 4 buttons

Connection Diagram:



Danger - Electric Shock Risk!

Switch off the power before any intervention.

Handling by qualified and authorized persons only.

Subject to change without notice