



## DIN Rail D-PA08M

DIN Rail mono audio amplifier 8 W.

### Technical data

Power supply	110/230 V ~ 50/60 Hz
Output power	8 W rms
Load impedance	8 Ω
SNR	88 dB
Distortion (THD+N)	< 1% @ 8 W
Sensibility	adjustable
Input impedance	2.2 KΩ
Frequency response	±3 dB 0.05-20 KHz
Ingress protection IP	IP20

### Description

The D-PA08M is a one channel power amplifier (mono) for distributed audio systems already regulated volume level. The unit includes the respective power supply (110/230 V~).

It is indicated to amplify the signal near at the low impedance (8 Ω) sound speakers.

### Applications

Ambient audio systems in homes, shops, hospitals, clinics and hotels.

### Installation

Mounting near the sound speaker or in DIN Rail, occupying 5 modules of 17.5 mm.

Installation of the D-PA08M should be performed near to the speakers in order to avoid loss of audio signal.

### Features

Mono audio amplifier of 8 W rms

For 8 Ω speakers

Sensitivity adjustment by potentiometer

Incorporated power supply

ON/OFF control by DC voltage detection in the audio signal

Equivalent to the higher power amplifiers in distortion and noise level



Note:

The amplifier is in STAND-BY when there is no DC voltage detection on the audio line.

The amplifier should only be connected to an 8 Ω speaker using a 1 mm<sup>2</sup> section cables.



**Danger - Electric Shock Risk!**

**Switch off the power before any intervention.**

**Handling by qualified and authorized persons only.**

Subject to change without notice



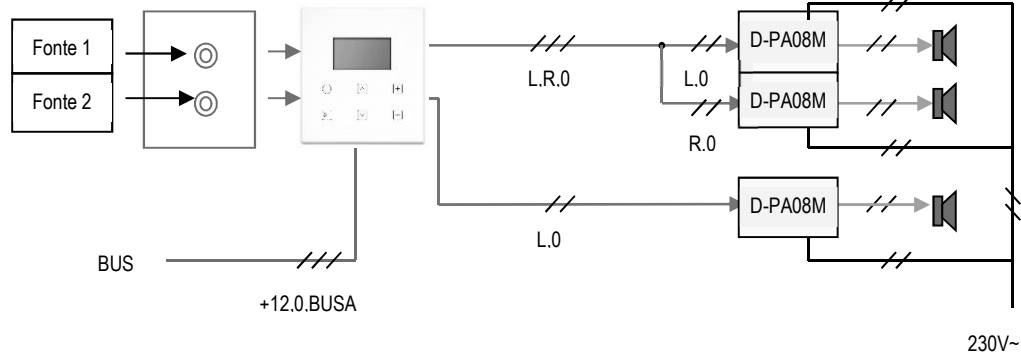
# AUDIO



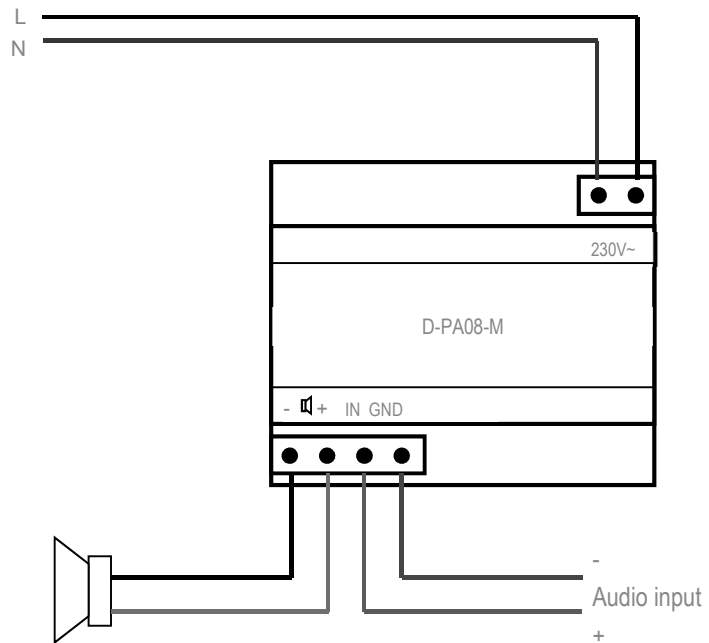
## DIN Rail D-PA08M

DIN Rail mono audio amplifier 8 W.

Typical instalation:



Connection diagram:



**Danger - Electric Shock Risk!**  
 Switch off the power before any intervention.  
 Handling by qualified and authorized persons only.

Subject to change without notice