

DIN Rail D-4OUT

DIN Rail 4 outputs ON/OFF actuator 16 A

Technical data

Power supply	110/230 V ~ 50/60 Hz
Power consumption	< 0.5 W
Maximum load current	16 A cos Φ =1
Inrush current	165 A / 20 ms
Ingress protection IP	IP20

Description

The D-4OUT is an ON/OFF actuator to switch up to 4 independent loads of up to 16 A. The outputs are made with independent voltage free contacts. It is therefore possible to switch lines of several phases including low-voltage signals. The supply of the module is independent from the loads.

Applications

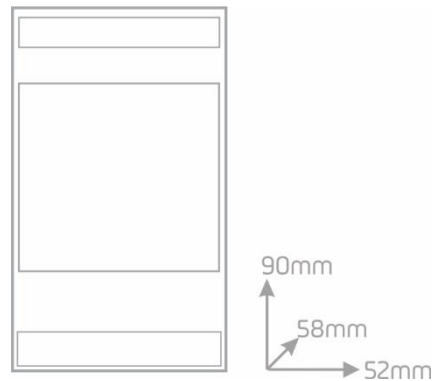
Switching of lights, switches, contactors, irrigation systems or other switchable loads in homes, shops, hospitals, clinics and hotels.

Installation

The D-4OUT is mounted on DIN Rail, occupying 3 modules of 17.5 mm.

Features

- ON/OFF actuator with bi-stable relays for 4 outputs of 16 A
- Local operation even without BUS connection
- Status indication by LED
- Memorizing different values for various scenarios
- Up to 20 buttons can be stored in the internal non-volatile memory.
- Operation modes: Toggle, ON, OFF, Timer, Delay and Scenario, depending on the received command

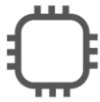


Danger - Electric Shock Risk!

Switch off the power before any intervention.

Handling by qualified and authorized persons only.

Subject to change without notice



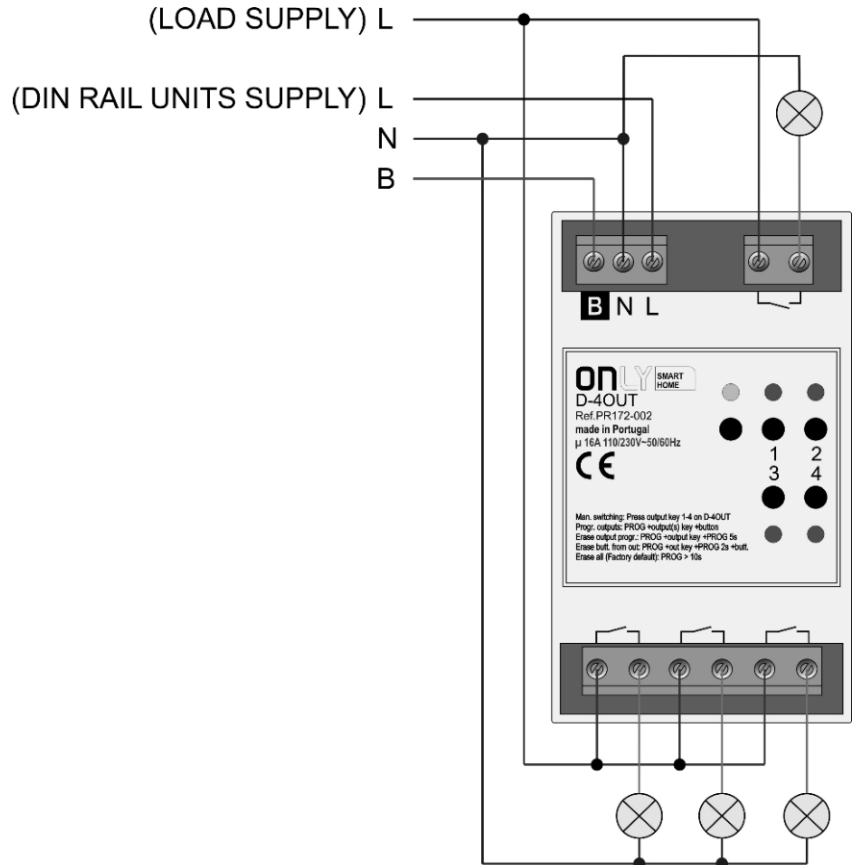
ACTUATORS



DIN Rail D-4OUT

DIN Rail 4 outputs ON/OFF actuator 16 A

Connection diagram:



Danger - Electric Shock Risk!
Switch off the power before any intervention.

Handling by qualified and authorized persons only.

Subject to change without notice