



DIN Rail D-1DIM010V

DIN Rail 1-channel 0...10 V dimming actuator with power-cut relay

Technical data

Power supply	110/230 V ~ 50/60 Hz
Consumption	< 1.5 W
Ingress protection IP	IP20

Description

The C- D-1DIM010V is a dimmer for fluorescent lamps and LED's with electronic ballasts of 0...10 V (not included). This dimmer includes a relay to fully switch off the light.

Applications

Intensity control of the fluorescent lights and LED's (with electronic transformer 0...10 V) in homes, shops, hospitals, clinics and hotels.

Dimming of fluorescent lights.

Installation

The D-1DIM010V is mounted on DIN Rail, occupying 2 modules of 17.5 mm.

Features

Dimming 0 to 100% gradually increasing

Local operation even without BUS connection

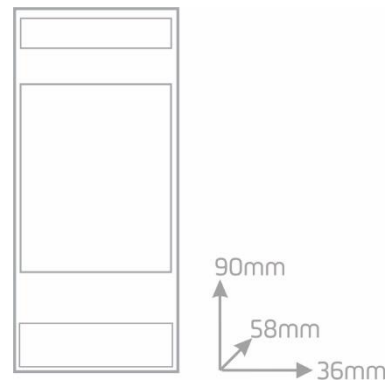
Status indication by LED

Automatic memory of last selected light level

Memorizing different values for various scenarios

Up to 28 buttons can be stored in the internal non-volatile memory.

Operation modes: Toggle, Up, Down, Timer, Delay and Scenario, depending on the received command



Note:

This dimmer cannot be used with DALI ballasts.



Danger - Electric Shock Risk!

Switch off the power before any intervention.

Handling by qualified and authorized persons only.

Subject to change without notice



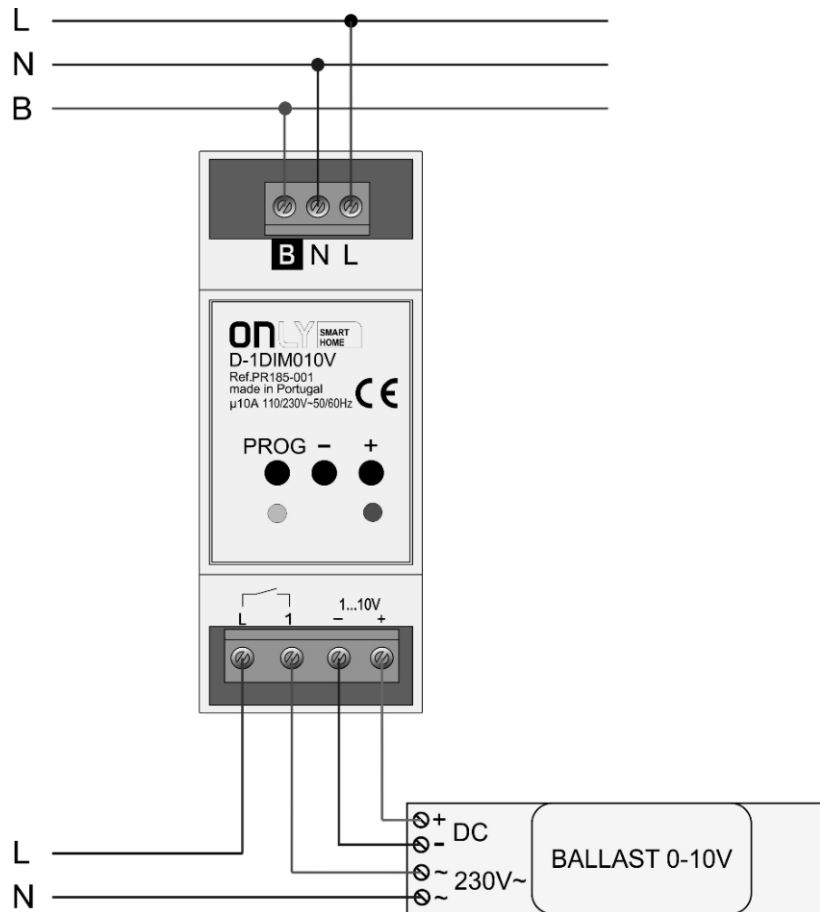
LIGHTING



DIN Rail D-1DIM010V

DIN Rail 1-channel 0...10 V dimming actuator with power-cut relay

Connection Diagram:



Danger - Electric Shock Risk!

Switch off the power before any intervention.

Handling by qualified and authorized persons only.

Subject to change without notice