**In Wall****C-TERMO4_**

4 outputs programmable thermostat
with ou without RF

Technical data

Power supply 110/230 V ~ 50/60 Hz
Maximum current 5 A cos $\Phi = 1$
Ingress protection IP IP20

Nota:

It is necessary the touch panel OT-TERMO_ to operate the C-TERMO4_ command.



Danger - Electric Shock Risk!
Switch off the power before any intervention.

Handling by qualified and authorized persons only.

Description

The C-TERMO4_ is a programmable thermostat with or without RF, for climatization control of an área and can be programmed for 3 operating periods and respective temperature for each day of the week.

To operate in automatic mode, it is necessary to install at least one C-CLIMA_ module in the house, that generates the time signals needed to manage the programme. The C-TERMO4_ turns on and off according to the set program, controlling the temperature.

Applications

Control of air conditioning by fan-convectors in homes, shops, hospitals, clinics and hotels.

Installation

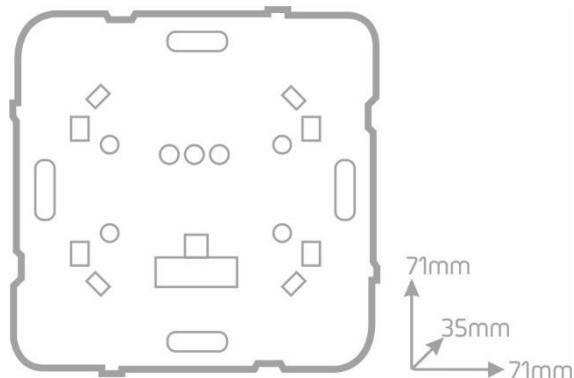
The C-TERMO4_ is mounted in a deep flush-mounting box (60 mm), where the OT-TERMO_ touch panel will be attached.

Available Units

Name	Radio Frequency
C-TERMO4	-
C-TERMO4RF	✓

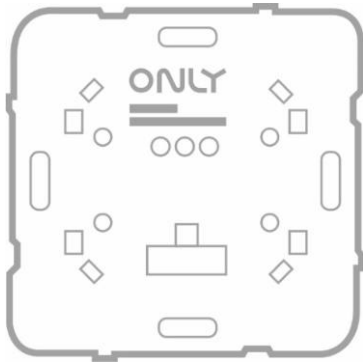
Features

Programs for different climate control for winter and summer
ON/OFF control, fan speed and control of the electro valve
Autonomous manual operation with preset comfort temperature
Radio Frequency Transmitter Receiver



71mm
35mm
71mm

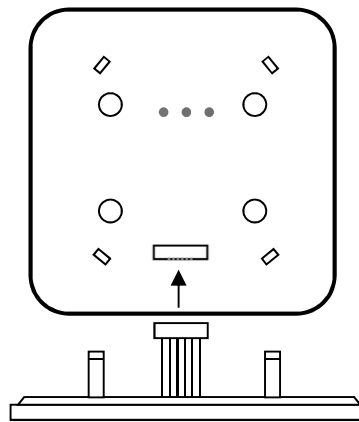
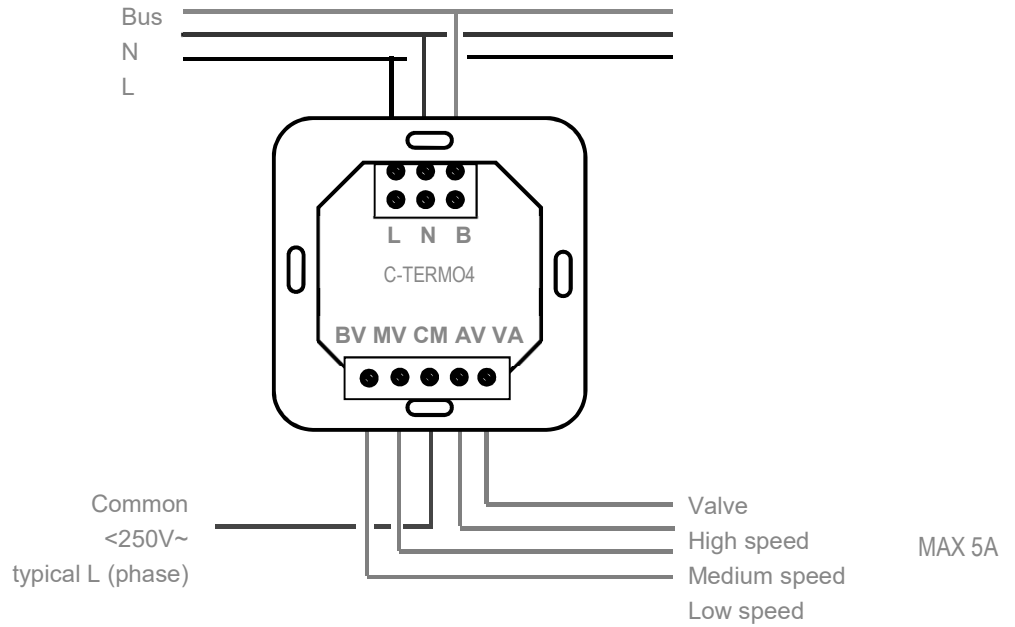
Subject to change without notice



In Wall
C-TERMO4_

4 outputs programmable thermostat
with ou without RF

Connection Diagram:



Danger - Electric Shock Risk!
Switch off the power before any
intervention.

Handling by qualified and authorized
persons only.

Subject to change without notice